

**汇杰智造**  
Jwell Intelligent

**管材、板材和片材等挤出线  
供料系统和智能包装设备**

**注塑、注吹和吹塑生产线智能  
检测及包装一体化方案**

Piping and sheet extrusion line feeding system  
and intelligent packaging equipment

Injection molding, injection and blow molding production line  
intelligent testing and packaging integration solution

**苏州金纬汇杰科技有限公司**  
SuZhou Jwell Intelligent Technology CO., LTD.

地址：江苏省苏州市太仓城厢工业园东安路18号  
Add: No.18, Dong'an Road, Chengxiang Industrial  
zone, Taicang, Suzhou city, China

Whatsapp/Wechat/Mobile: +86 188 6365 1303  
Whatsapp/Wechat/Mobile: +86 158 0622 5108

E-mail: salzz@jwell.cn salgah@jwell.cn

所有解释权归苏州金纬集团所有  
All interpretation rights belong to Suzhou Jwell Group

**苏州金纬汇杰科技有限公司**  
SuZhou Jwell Intelligent Technology CO., LTD.



10+ 驻海外办事处  
Overseas offices

580+ 技术研发&工程师  
R&D Engineer

3,000+ 金纬机械员工人数  
Jwell Employee

8+ 个制造基地  
Manufacture Bases

500+ 独家专利技术  
Patents

1,000,000m<sup>2</sup>+ 工厂面积  
Plant Area



# JWELL TECHNOLOGY CHINA INTELLIGENT

## 汇杰科技 中国智造

金纬品牌创立于1997，总部位于上海，在上海、舟山、苏州、溧阳、海宁、泰国设立生产基地，苏州金纬汇杰科技有限公司是金纬机械旗下智能成套非标自动化设备制造商，通过技术创新，资源整合，充分结合工业智能制造发展之需要，聚焦行业发展痛点，深耕自动化领域，为客户提供专业的塑料制品生产线辅助设备和非标自动化解决方案。

汇杰不断创新发展，与时俱进，为许多优秀企业提供了叠代的先进智能设备，数据采集MES系统的应用为客户打造工业4.0智能化工厂奠定基础。

目前认证：

ISO9001质量体系认证

ISO环境管理体系认证

OHSAS1800职业健康安全体系认证

与华东理工大学、北京化工大学全方位合作，为企业人才培养、引进，技术积累和不断提升奠定了基石。

服务于市政工程、建筑、化工、润滑油、食品、饮料等行业。

Jwell brand was founded in 1997, the headquarters is located in Shanghai, in Shanghai, ZhouShan, SuZhou, LiYang, HaiNing, Thailand set up a production base, SuZhou Jwell technology co., LTD. is a subsidiary of Jwell machinery intelligent complete sets of non-standard automation equipment manufacturers, through technological innovation, resource integration, fully combine the requirements of the development of the industrial intelligent manufacturing and pain points focus on industry development, Deep in the field of automation, to provide customers with professional plastic products production line auxiliary equipment and non-standard automation solutions.

With continuous innovation and development, Jwell keeps pace with The Times and provides many excellent enterprises with advanced intelligent equipment of repeated generations. The application of MES system of data acquisition lays a foundation for customers to build industry 4.0 intelligent factories.

Current certification:

ISO9001 Quality system certification

ISO environmental management system certification

OHSAS1800 occupational health and safety system certification

Service in municipal engineering, construction, chemical,

lubricating oil, food, beverage and other industries.



扫码看视频  
Scan the code to  
watch the video

80年代初

金海螺第一代螺杆研制成功

In the early 1980s, the first generation screw of JINHAILUO was successfully developed

1997

上海金纬机械

Shanghai JWELL Machinery

2008

苏州金纬机械

Suzhou JWELL Machinery

2012

常州金纬机械

Changzhou JWELL Machinery

2018

贝克威尔(泰国)

Bkwell (Thailand)

2019

浙江金纬智能装备

Zhejiang JWELL Machinery

2020

金纬公司业绩突破50亿人民币

Jwell's annual sales exceeded CNY 5 billion

2021

滁州金纬机械

Chuzhou JWELL Machinery

2022

连续11年荣获中国塑料机械挤出行业排名首位

Ranked first in China's plastic machinery extrusion industry for 11 consecutive years

Intelligent  
Manufacturing



精密加工车间 Precision machining



# Pipe extrusion line load material, winding, cutting packaging equipment

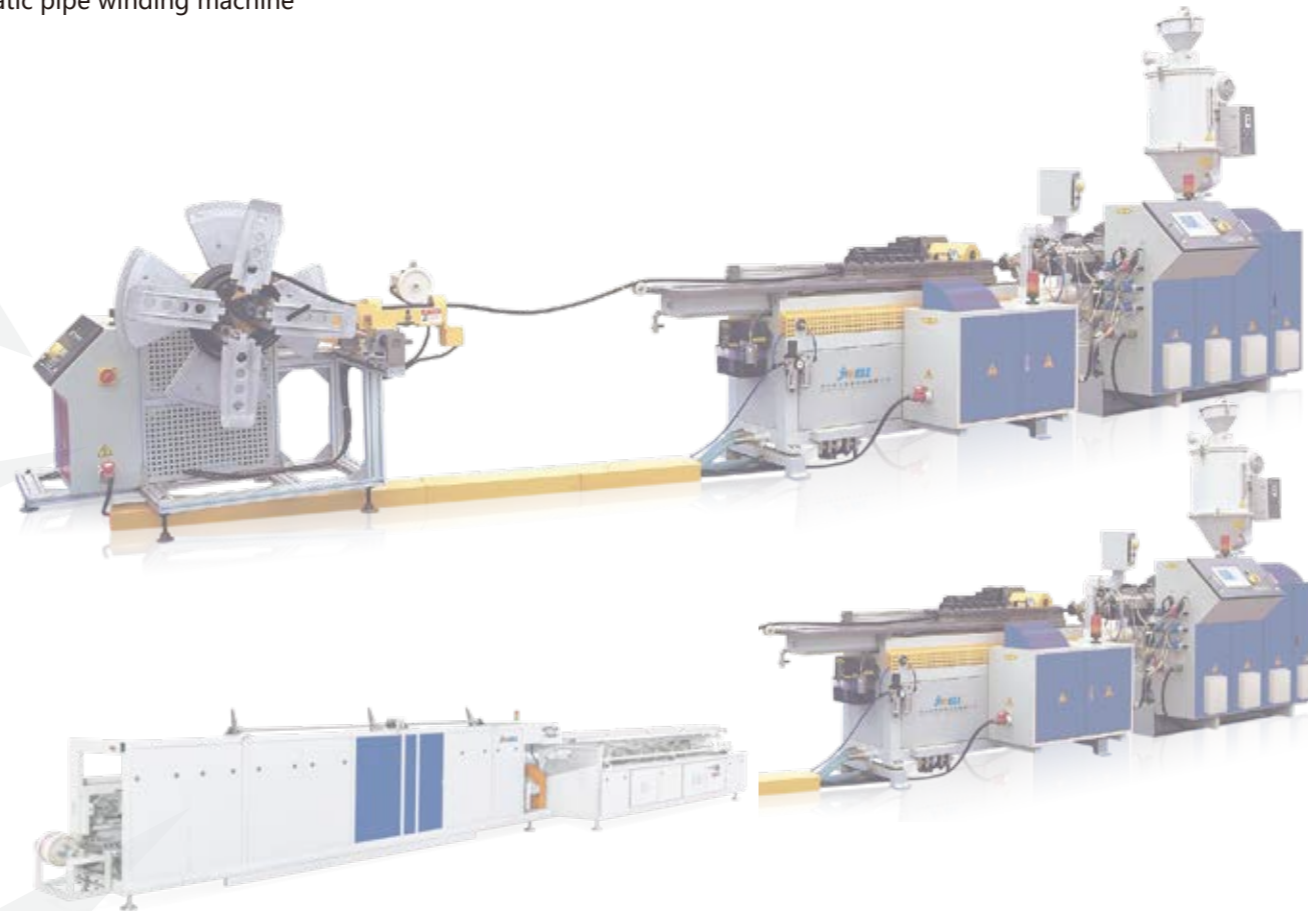
管材挤出线上料、收卷、裁切包装设备



管材自动收卷机  
Automatic pipe winding machine



半自动收卷机  
Semi-automatic winding machine



机器人组份破包机  
Robot breaking and feeding system



集中供料系统  
Centralized feeding system



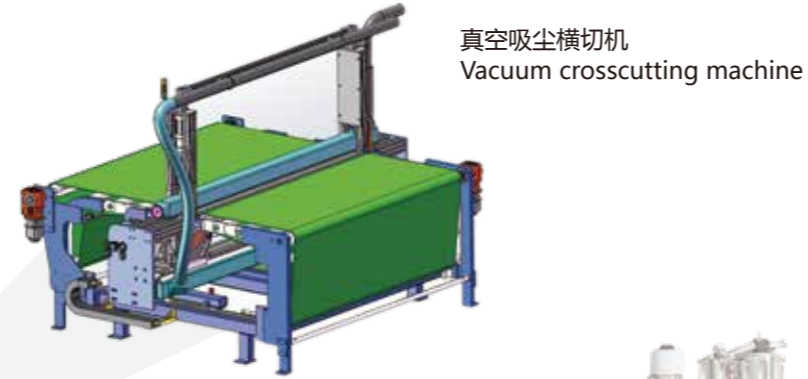
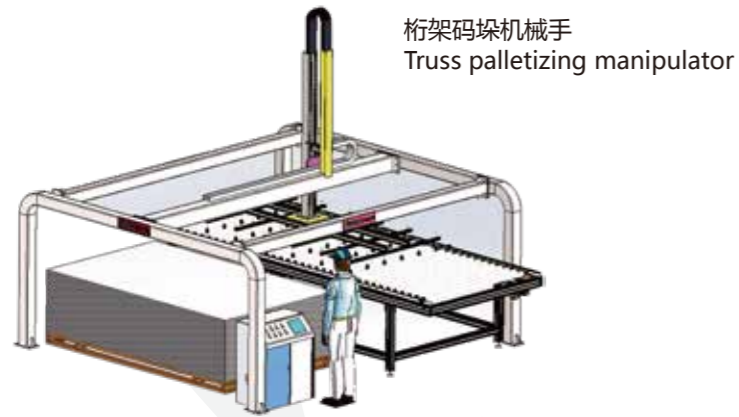
PVC自动包装机  
PVC line pipe automatic strapping bagging packaging machine





# Sheet extrusion line intelligent feeding, slitting, visual quality detection, palletizing machine solutions

板材挤出线智能上料、分切、视觉品质检测、码垛机解决方案



烘干上料机  
Drying and feeding machine



多机组集中供料系统  
Multi-unit centralized feeding system



悬臂码垛机械手  
Cantilever palletizing manipulator

宽幅码垛机械手  
Wide palletizing manipulator

机器人组分破包机  
Robot component breaker

整层破包机  
Whole layer breaker





# Hollow blow molding automatic line - auxiliary equipment solutions

中空吹塑自动线--辅助设备解决方案



吹塑模内贴标机-1  
Blow molding internal labeling machine -1



吹塑模内贴标机-2  
Blow molding internal labeling machine -2



称重机  
weighing machine



视觉检测机  
Visual inspection machine



测漏/称重/视觉组合机  
Leak detection/weighing/vision combined machine



半自动测漏机  
Semi-automatic leak detector



自动测漏机-1  
Automatic leak detector -1



自动测漏机-2  
Automatic leak detector -2



8头自动测漏机  
8 head automatic leak detection machine



伺服移动自动测漏机  
Servo moving automatic leak detection machine



磨口机  
Grinding machine



套袋打包机-1  
Bagging machine -1



套袋打包机-2  
Bagging machine -2



自动制袋打包机  
Automatic bag packer



半自动码垛机  
Semi-automatic palletizing machine



自动码垛机  
Automatic palletizer

# Labeling machine class

贴标机类

## 不干胶贴标机

Adhesive label machine



平面贴标  
Plane label



圆瓶贴标  
Round bottle labeling



防伪签贴标  
Anti-counterfeiting label



双面立式贴标  
Double-sided vertical labeling

## PET/注塑-模内贴标机

PET/Injection  
-IML machine



半自动模内贴标  
Semi -automatic IML



半自动双腔模内贴标  
Semi -automatic dual cavity



自动4腔模内贴标  
Automatic 4 cavity IML



4腔注塑模内贴标  
4 cavity round bottle injection molding IML

## 注吹-模内贴标机

Injection molding  
-IML Machine



14腔贴标  
14 cavity stickers



4腔贴标  
4 cavity stickers



6腔贴标  
6 cavity stickers



## Material side belt, flexible chain plate conveyor belt

料边带、柔性链板传送带



## Plastic particle material supply system

集中供料系统





# Pipe double station winding machine

管材双工位收卷机



排管规整、密实  
The row pipe is neat and dense



打包位置精准、捆扎力强  
Precise packing position, strong binding force



算法升级、操作便捷、安全高效  
Algorithm upgrade, convenient operation, safe and efficient

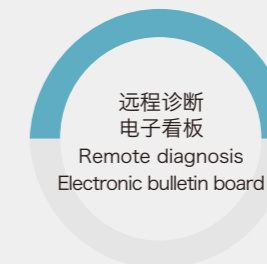
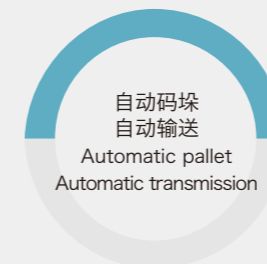
## 技术参数 Technical parameter

适用材质 Suitable material	PE、PERT、滴灌管、单壁波纹管等 PE, PERT, drip irrigation pipe, single wall bellows, etc
适用规格 Suitable specification	16-32mm
收卷内径 Winding diameter	400-600mm
收卷宽度 Winding width	180-500mm
线速度 Line speed	Max 50m/min
打包带材质 Packing tape material	兼容PP/PET塑钢带 Compatible with PP/PET plastic steel belt

备注：以上规格参数如有变更，恕不另行通知。Note: The specifications are subject to change without prior notice.



## 选配功能块 Optional function block





# PVC line pipe automatic strapping bagging packaging machine

PVC线管自动捆扎套袋包装机

技术参数 Technical parameter

封口方式 Sealing method	1、PE袋两端加热封口或PE袋两端缠透明胶带封口 2、编织袋两端缠透明胶带封口或编织袋两端缝纫封口 1. Heat sealing at both ends of the PE bag or wrap transparent tape on both ends of the PE bag for sealing 2.Wrap transparent tape on both ends of the woven bag for sealing or sewing and sealing on both ends of the woven bag
包装管径范围 Packing pipe diameter range	Φ16mm~ Φ63mm
包装管材长度 Packaging tube length:	2.6m~6m
包装周期 Packaging cycle	加热封口55秒/包、缠透明胶带封口55秒/包、缝纫封口120秒/包 heating and sealing 55 seconds/pack, wrapping transparent tape for 55 seconds/ pack, sewing and sealing 120 seconds/pack

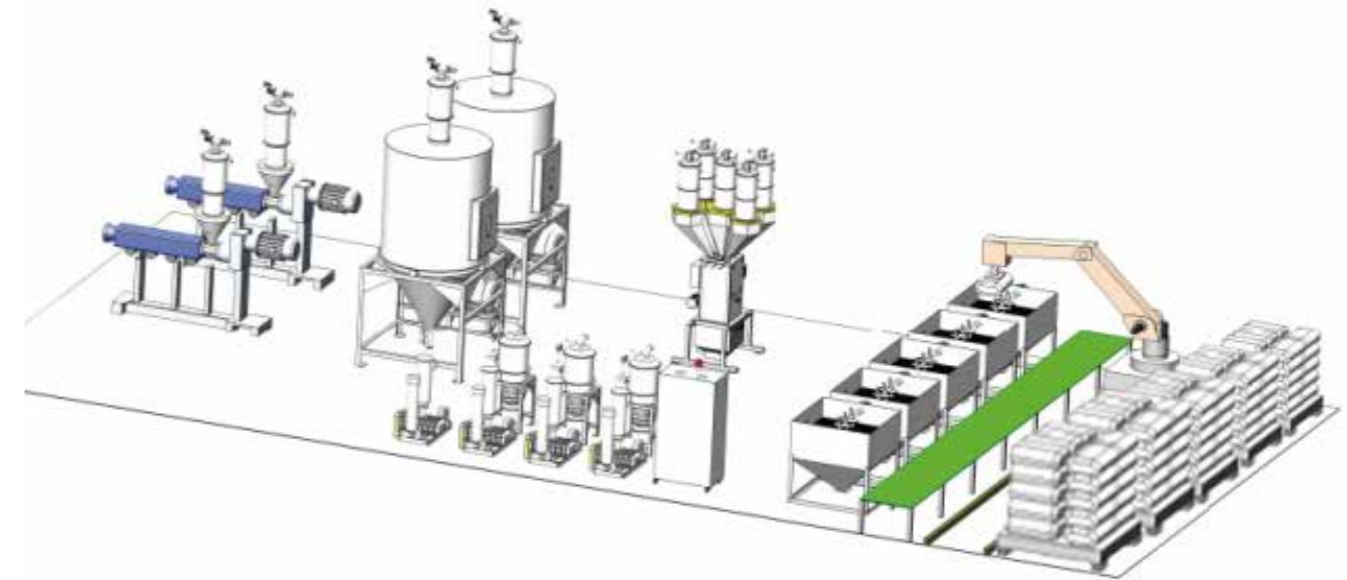
备注：以上规格参数如有变更，恕不另行通知。Mote: The specifications are subject to change without prior notice.





# Robot breaking and feeding system

机器人破包上料系统



## 工艺流程 Technological process



机器人根据料仓缺料信息自动定位对应位置，可在直线导轨上自由运动，使用视觉技术智能识别托盘物料，引导机械臂依次对每一袋物料进行自动抓取，低噪鼓风机使物料袋牢牢的吸附在高强力吸盘上，根据预定路径平滑地投放到料仓中完成自动投料；抓取完的空料袋通过输送系统进行自动回收。

Robot according to automatically locate the corresponding position, bin lack of material information can be freedom movement in linear guide, using the visual technology of intelligent recognition tray material, guide the robot arm in order to automatically grab each bag material, low noise fan bag of material solid adsorption on high strength sucker, according to the scheduled path smoothly into the bunker in the complete automatic feeding; The empty material bag can be recovered automatically through the conveying system.

## 特点 Characteristic

- 自动识别缺料位置
- 托盘无料包报警提醒
- 抓取过程中掉包提醒
- 机器人一键原点复位
- 空料袋残留量小
- 空料包可自动回收指定位置
- Automatic identification of missing material position
- Tray no material bag alarm reminder
- Reminder of packet switching in the process of fetching
- One-key origin reset of the robot
- Empty bag residue is small
- Empty material bag can be automatically recycled to the designated position

## 技术参数 Technical parameter

机器人工位 Robot station	机器人轴数 Robot axes	机器人负载 Robot load	工作半径 Working radius	产量 Output	残留量 Residual quantity
1	4-6	50Kg	2140mm	1.5t/h	< 0.1%
3-5	4-6	120Kg	2400mm	1.4t/h	< 0.3%

备注：以上规格参数如有变更，恕不另行通知。Mote: The specifications are subject to change without prior notice.



# Whole layer feeding system

整层破包上料机



- ◎整层破包，效率高，最大可达600包/小时
- ◎托盘滚轮输送，可同时摆放4个物料托
- ◎托盘可自动收集
- ◎安全与光栅防护护栏，符合CE标准
- ◎仿生钢质手抓，不掉包
- ◎高速耐磨滚刀
- ◎物料袋防掉落震动格栅
- ◎残留颗粒低于千分之一

- ◎Whole layer breaking, high efficiency, up to 600bags/hour.
- ◎Tray roller conveying, can be placed at the same time 4 material carrier.
- ◎Trays can be collected automatically.
- ◎Safety and grating protection guardrail, CE standard.
- ◎Bionic steel hand grasp, do not replace.
- ◎High speed wear resistant hob.
- ◎Material bag anti drop vibration grille.
- ◎Residual particles are less than 1/1000.



## Cutting system

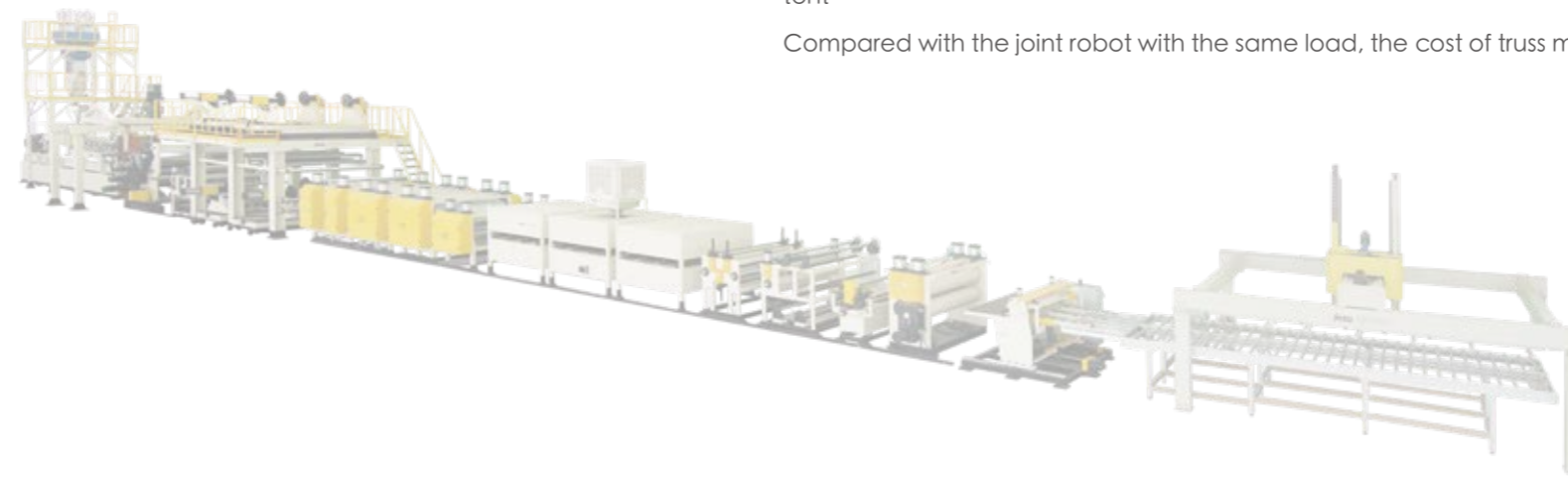
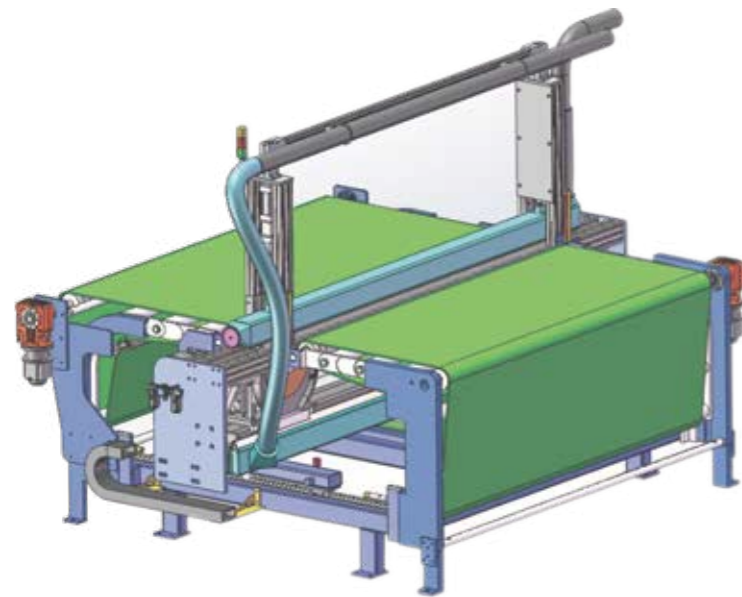
### 切割系统

适用于PC、PMMA、PP、PE板材生产线，特殊的锯片结构，风道设计以及纵向移动机构可以使板材表面吸附的锯屑降到最低，切割精度可以达到±1mm。

此横切机满足高档PC、PMMA板材切割要求，制品可以直接用于面板显示类产品，配合净化车间效果更佳。

Suitable for PC, PMMA, PP, PE plate production line, special saw blade structure, air channel design and vertical movement mechanism can make the plate surface adsorption sawdust to the minimum, cutting accuracy can reach ±1mm.

The crosscutting machine can meet the requirements of high-grade PC and PMMA plate cutting, the products can be directly used for panel display products, and the effect is better with the purification workshop.



#### 技术参数 Technical parameter

制品宽幅	制品厚度	除尘方式	控制算法	切割精度
Products wide	Products thickness	Dusting method	Control algorithm	Cutting accuracy
1220-2440mm	1-18mm	脉冲式 Impulse type	凸轮控制 Cam control	±1mm

备注：以上规格参数如有变更，恕不另行通知。Note: The specifications are subject to change without prior notice.

## Truss manipulator

### 码垛机械手

整体强度高，不易振动摇晃。直线导轨和齿轮齿条运动机构，承载能力强，运行平稳。

安装调整要求低，相比于繁杂的关节机器人，结构设计便于人员理解、操作简单、维护方便。

精度高，会实时检测机械手控制系统发出指令和实际位置是否一致

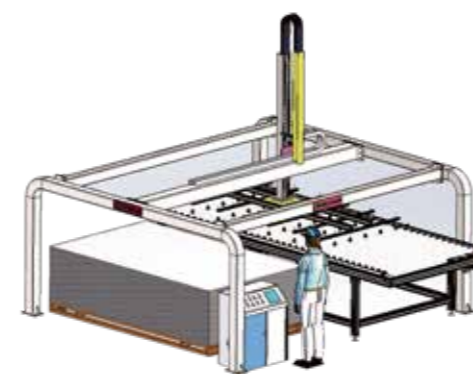
性价比高，相对于同等负重的关节机器人，桁架机械手的造价成本更低。

High overall strength, not easy to shake vibration. Linear guide rail and rack and pinion motion mechanism, strong bearing capacity, excellent rigidity.

The installation and adjustment requirements are low, compared with the complex joint robot, the structure design is easy to understand, simple operation, convenient maintenance.

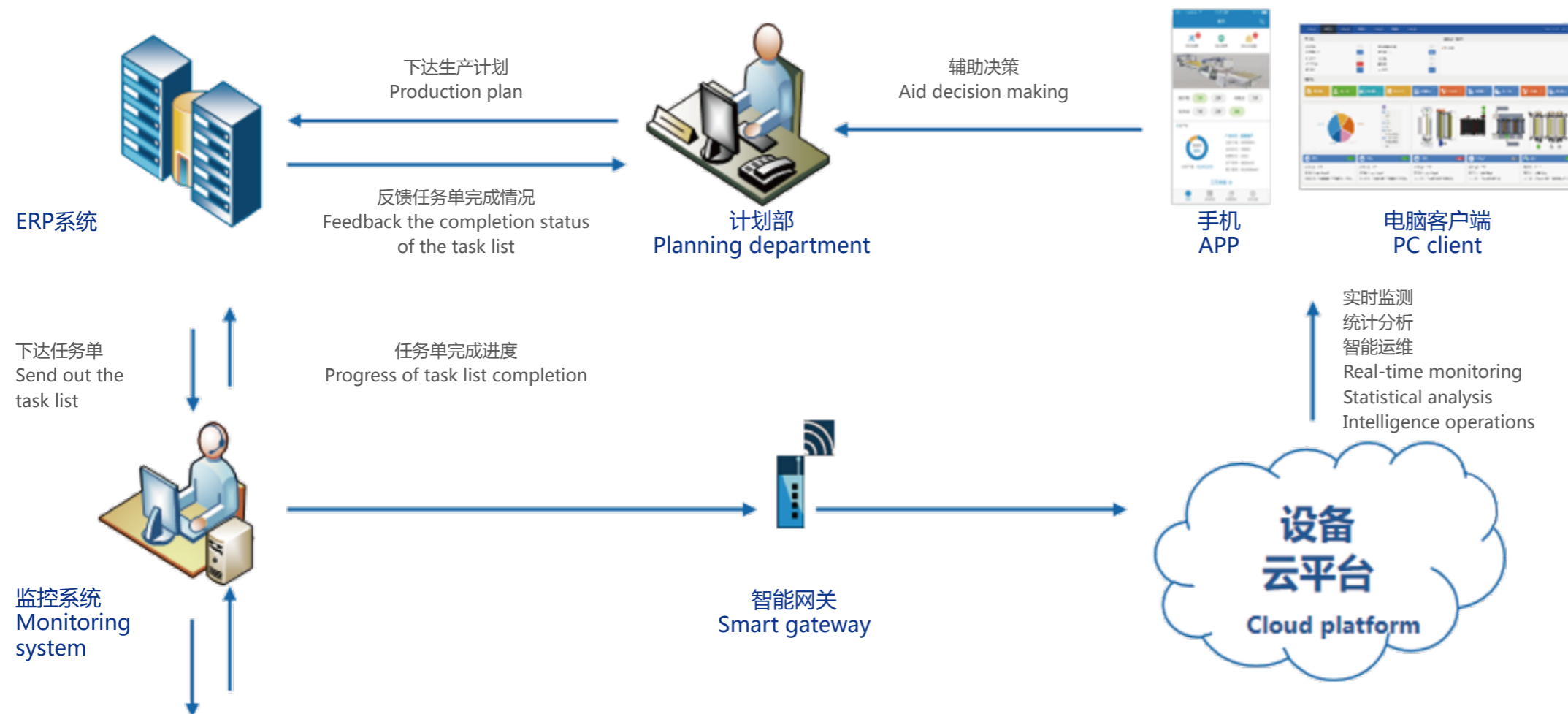
High precision, real-time detection manipulator control system issued instructions and the actual position is consistent

Compared with the joint robot with the same load, the cost of truss manipulator is lower.



# Smart factory

智慧工厂



现场大屏幕电子看板可以直接看到当前生产线

- 运行状态
- 单位能耗
- 各电机负载率
- 良品率
- 运行时间
- 排班计划
- 故障预警
- 生产计划等重要数据

On-site large screen electronic kanban can directly view the current production line

- Running state
- Unit energy consumption
- Load rate of each motor
- The yield
- The elapsed time
- Scheduling plan
- Fault early warning
- Production plan and other important data





# IML-Machine

## 模内贴标机

模内标签-80年代后，国际包装行业标签材料的一次革命；  
21世纪起，国内包装行业贴标工艺的新热点；  
工艺：模内标签与塑料制品在模具内依靠成型材料的余热融合为一体特点：  
坚韧、亮丽、防伪、环保。

### 优点：

1. 可采用平板、柔版和轮转等多种印刷方式；
2. 适用于吹塑、注塑工艺；
3. 减少生产工序流程，节省人力；
4. 材料环保，燃烧时不会释放有毒气体；
5. 具有五防三耐二加固功能：
  - A > .五防：防伪、防水、放油、防发霉、防翘标；
  - B > .三耐：耐挤压、耐摩擦、耐酸碱；
  - C > .二加固：加固瓶体强度、增大抗压力。



In-film label - after the 1980s, the international packaging industry label material revolution;  
Since the 21st century, the domestic packaging industry labeling technology new hot spot;  
Process: in-mold label and plastic products in the mold rely on the waste heat fusion of forming materials as one of the characteristics: tough, bright, anti-counterfeiting, environmental protection.

### Advantages:

1. Plate, flexo and rotary printing can be used;
2. Suitable for blow molding, injection molding process;
3. Reduce production process flow, save manpower;
4. Environmental protection materials, burning will not release toxic gas;
5. With five prevention, three resistance and two reinforcement functions;
  - A > . Five: anti-counterfeiting, waterproof, oil, anti-mildew, anti-warping label;
  - B > . Three resistance: extrusion resistance, friction resistance, acid and alkali resistance;
  - C > . li Reinforcement: strengthen the strength of the bottle body and increase the pressure resistance.



平面贴标  
Plane labeling



90° 贴标  
90 degrees labeling

### 技术参数 Technical parameter

项目名称	The project name	参数 parameters	项目名称	The project name	参数 parameters
		1100-1800mm			2.2-4.5S
X轴行程	x-Labeling stroke	135mm	进模贴标时间	Labeling duration	0.1-5L
Y轴行程	Y-Labeling stroke	60-120mm	吹塑容器体积	Volume of container	0.2-0.5mm
Z轴行程	Z-Labeling stroke=	3000r/min	贴标精度	Accuracy of labeling	0.4-0.8MPa
X轴旋转速度	X-Rotational Speed	3000r/min	适用气压	Applicable air pressure	50HZ
Y轴旋转速度	Y-Rotational Speed	130-350mm	频率(HZ)	Frequency(HZ)	AC 220V
手臂吸盘宽度	Sucker width of arm	约330kg	供电电压	Voltage(V)	1.3KW
总重量	Total weight(kg)		总功率	Total power(KW)	

**工艺过程：**中空吹塑机吹瓶结束，模具打开贴标机械手将模内标签放入模具内腔，在吹瓶过程中利用料胚余热将标签与瓶体融合于一体，标签牢固镶嵌在容器表面

### 产品特点：

- 采用伺服数控技术，人机界面更改贴标位置/速度数值，速度连续可调。
- 贴标速度快：2.5-4.5秒/单贴标周期；
- 定位精度高，稳定性好；
- 贴标成功率高；
- 采用万能标库或线切割标库，真空抓取标签；
- 实现自动贴标，减少人工成本



**Process:** the hollow blowing molding machine blows the bottle, the mold opens the labeling manipulator and puts the in-mold label into the inner cavity of the mold. In the process of blowing the bottle, the waste heat of the material embryo is used to integrate the label and the bottle body, and the label is firmly embedded on the surface of the container

### Product features:

- Servo numerical control technology, man-machine interface to set the labeling position data running speed stepless adjustable;
- Fast labeling speed: 2.5-4.5 seconds/single labeling cycle;
- High positioning accuracy, good stability;
- High labeling success rate;
- Universal standard library or wire cutting standard library, vacuum grab labels;
- Realize automatic labeling and reduce labor cost



# Hollow products - leak detection machine

中空制品-测漏机

## 半自动测漏机 Semi-automatic leak detector

### 特点:

- ◎测漏准确率更高，运行稳定、得靠。
- ◎框架结构采用碳钢型材、不锈钢制成。
- ◎由触摸屏设定参数，操作简单、便捷，易于维修。
- ◎充气采用精密调压阀，配置微差压力传感器，测漏精度高。
- ◎设备有多种型号，能满足客户多种瓶型的测漏要求。

### Features:

- ◎leak detection accuracy is higher, stable operation, rely on.
- ◎The frame structure is made of carbon steel and stainless steel.
- ◎By touch screen set parameters, simple operation, convenient, easy to maintain.
- ◎Charging with precision pressure regulating valve, equipped with differential pressure sensor, leak detection accuracy is high.
- ◎The equipment has a variety of models, can meet the customer's various bottle leakage requirements.



### 技术参数:

- 测漏头数: 1个(密封头);
- 检测效率: 500-700只/小时(1-4升桶);
- 测漏精度: 0.1mm;
- 供气气压: 0.4-0.8Mpa;
- 瓶(桶)容积: 1-6.5升;
- 接地要求: 必须接地。

### Technical parameters:

- Number of leakage head: 1 (sealing head);
- Detection efficiency: 500-700 PCS/hour (1-4 L BBL);
- Leakage detection accuracy: 0.1mm;
- Air pressure: 0.4-0.8mpa;
- Bottle (drum) volume: 1-6.5 litres;
- Grounding requirements: Must be grounded.



## 自动测漏机 Automatic leak detection machine

**测漏机原理:** 对中空容器密封充气，保压，在设定时间内用高精度传感器采集容器内气压泄漏量，由A/D模块把采集压差积累数据传入PLC进行运算比较，结果值高于阈值判为漏瓶，小于阈值判为好瓶，传送带尾部安装光电开关检测到漏瓶，排漏气缸将漏瓶踢除。自动测漏机分为1头至4个测试头等型号，能满足不同生产线要求。

**Leak machine principle:** the hollow container seal gas, pressure, with high precision sensor to collect container within set time pressure leakage, by A/D module into the differential accumulation data PLC operation comparison, the result value is higher than the threshold to be tried for leaking bottle, jailed for good bottle is less than the threshold, the conveyor belt tail install photoelectric switch to detect leak bottle, exhaust air cylinder leaking will play in addition to the bottle. Automatic leak detection machine is divided into 1 to 4 test models, can meet the requirements of different production lines.



### 技术参数:

- 输送带长度根据客户要求定制
- 调速方式: 电子调速
- 检漏效率: 2500-3500只/小时
- 检漏精度: 0.1mm
- 工作电压: AC 220V 50Hz
- 供气气压: 0.4-0.8mpa
- 瓶子容积: 500ml-6000ml
- 皮带长度: 1200mm

### Technical parameters:

- Conveyor belt length according to customer requirements
- Speed regulation: electronic speed regulation
- Leak detection efficiency: 2500-3500 PCS/hour
- Leak detection accuracy: 0.1mm
- Working voltage: AC 220V 50Hz
- Air pressure: 0.4-0.8mpa
- Bottle volume: 500ml-6000ml
- Belt length: 1200mm





## 6-16 head automatic leak detector

### 6-16头自动测漏机

#### 产品简介:

金纬汇杰生产多种规格的测漏机，设备器件均采用高精度传感器件，让测漏精度大大提高。测漏机的基本原理是将有一定压力的洁净空气充入被测瓶内，通过分析瓶内压力的变化来判断吹塑塑料瓶的合格与否的设备。

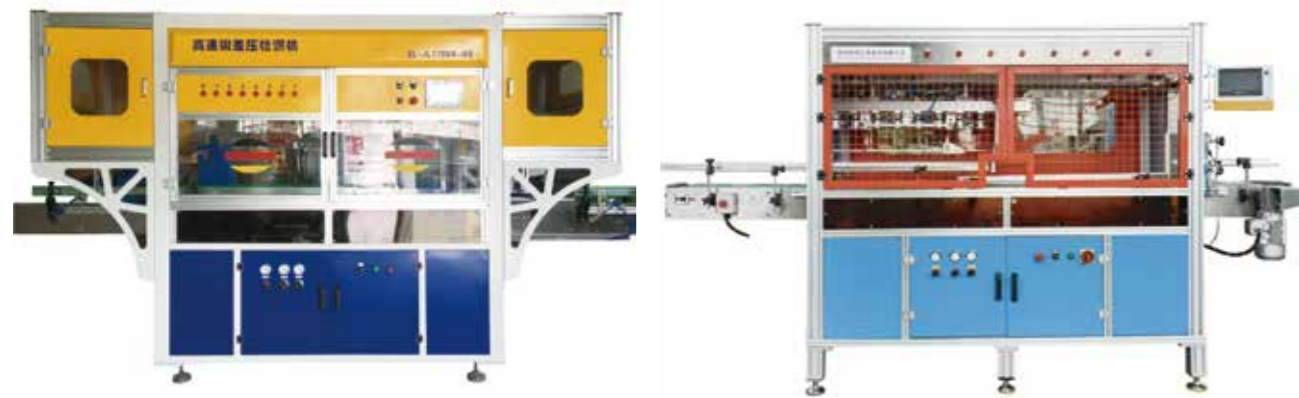
本产品为伺服移动式测漏机，相比较其它产品，具有更高的效率。瓶子在运动过程中测漏，提高了工作效率，不合格品被气缸快速剔除。

#### Product introduction:

JWELL intelligent technology co., LTD. Production of a variety of specifications of leakage testing machine, equipment devices are used in high-precision sensor parts, so that the leakage testing accuracy greatly improved.

The basic principle of leak detection machine is to fill the clean air with certain pressure into the bottle under test, and determine whether the blow molding plastic bottle is qualified or not by analyzing the change of pressure in the bottle.

This product is servo mobile leak detection machine, compared with other products, with higher efficiency. Bottle side leakage in the process of movement, improve the work efficiency, unqualified products are quickly removed by the cylinder.



#### 技术参数 Technical parameter

供电电源：单相 AC 220V;	Power supply: single-phase AC 220V;
测漏效率：2000-8000Pcs/H;	Leak detection efficiency: 2000-8000pcs /H;
(瓶子规格不同效率也不同)	(the efficiency of leak detector varies with different specifications)
测漏精度：<0.1mm针孔;	Leakage measurement accuracy: <0.1mm pinhole;
进口气压：0.4—0.8mpa;	Inlet pressure: 0.4-0.8mpa;
瓶（桶）容积：1—6.5升；（可以定制）	Bottle (bucket) capacity: 1 -- 6.5 liters; (customizable)

## Fully automatic baling press

### 全自动打包机

全自动塑料瓶打包机是用于包装HDPE瓶、PET瓶等塑料瓶，该设备替代了传统的手工包装作业，实现生产线自动化作业，节省人工成本以及提高效率效益。设备的设计简约实用，操作灵活方便，占地面积极小。控制系统采用松下PLC控制，增加功能扩展的灵活性。人机界面触摸屏操作，方便快捷。

生产的标准自动塑料瓶打包机可调性高，适合于大小610MMx1000MM以及1016MMx1219MM的塑料袋。自动打包机在占地空间极小的情况下能准确定位并和吹瓶机实现连线。

自动打包机可调性高，能包装从50ML -5000ML的不同大小、不同形状的容器，无需更换部件即可实现。该机采用人机界面完成机器的所有操作。操作员可以在机器上储存瓶子的设置和参数，以供将来使用。该机多年来广泛应用于塑料容器包装行业。销售遍布世界各地，超过百台机器正日以继夜不停工作，为世界各地的客户提供更优质的服务。

根据产品特点和客户具体要求，量身为客户定制各种规格形状产品的专用自动打包机，从而满足各行业客户的特殊要求。

This type of machine is a fully automatic plastic bottle packing machine, which is used for packaging HDPE bottles, PET bottles and other plastic bottles. This equipment replaces the traditional manual packaging operation, realizes the production line automation operation, and greatly saves labor costs and improves efficiency and efficiency. The design of the equipment is simple and practical, flexible and convenient to operate, and covers a very small area. The control system adopts panasonic PLC control to increase the flexibility of function extension. Man-machine interface touch screen operation, convenient and quick.

Standard automatic plastic bottle baler is highly adjustable and suitable for plastic bags of 610MMx1000MM and 1016MMx1219MM. Automatic plastic bottle packing machine can accurately locate and connect with bottle blowing machine in very small space. Minimum floor space requirements. Standard automatic baler with automatic feed conveyor belt. The packaging machine is designed for plastic bags and requires the operator to manually place the plastic bags in a fixed position. The same operator will remove the packaged bottles from the machine and place them on the pallet/slide rail.

The self-developed standard automatic packing machine has high adjustable performance and can be packaged from 500ml-5000ml containers of different sizes and shapes without replacement of parts. This machine adopts man-machine interface to manage all operations of the machine. The operator can store bottle Settings and parameters on the machine for future use. The machine has been widely used in plastic container packaging industry for many years. Sales are all over the world, more than 100 machines are working around the clock to provide better service to customers around the world.

According to the characteristics of the products and the specific requirements of customers, as customers to customize a variety of specifications and shapes of products dedicated automatic packing machine, so as to meet the needs of various industries

Special requirements.



# SL-SIM1302.PPW/I- II ( SINGLE/DOUBLE ) NON-DRY LABELING MACHINE

## 不干胶贴标机

### 主要特点:

- ◎该机采用智能数字人机对话触摸屏，操作简单，具有参数记忆功能。
- ◎采用进口伺服电机控制，跟踪速度快，稳定性高，寿命长，安全可靠。
- ◎选用国际品牌PLC、光纤传感器和色标光电开关。
- ◎具有标签长度调整功能，故障报警功能。
- ◎整机采用优质不锈钢和铝合金制作，符合GMP标准和食品卫生安全要求，结构坚固，美观大方。

### Features:

- ◎This machine adopts intelligent digital man-machine interaction touch screen with simple operation and parameter memory function.
- ◎It adopts imported servo motor control which is fast tracking speed, highly stable, long service life, safe and reliable.
- ◎It selects international brand PLC, optical fiber sensor and color photo electric switch.
- ◎It owns functions of label length adjustment function and fault alarm.
- ◎The whole machine is made of stainless steel and aluminum alloy of solid structure, and beautiful appearance, complying with GMP standards and food hygiene and safety requirements.



平面贴标  
flat label



圆瓶贴标  
Round bottle labeling



防伪签贴标  
Anti-counterfeiting label



双面立式贴标  
Double-sided vertical labeling

不干胶贴标机是近几年发展起来的高速贴标设备，速度快，一致性好，成品率高;可单机或在线使用，能同时对被贴物的单侧面或双侧面进行贴标。

### 适用范围/Application:

- ◎适用行业:药品、食品、日化、粮油、酒水、五金、文具、塑胶等行业。
- ◎适用产品:各种圆柱形、方形、扁形、椭圆形、锥形等物体和包装容器。
- ◎适用标签:不干胶纸标签、不干胶复合膜、条形码、监管码、防伪标、镭射标等。
- ◎适用实例:润滑油桶、洗发水瓶、橄榄油方瓶、酱油瓶、化妆品瓶和洗涤液瓶等。



Single 1 double-sided non-dry sticker labeling machine is a kind of hi-speed labeling equipment developed in recent years, with high speed, good consistency, and high yield. It can be used standalone or online, and label on single side or double sides of the labeled object at the same time.

### Application:

- ◎4 Applicable industries: pharmaceuticals, food, daily chemical, grain and oil, beverage, hardware, stationery, plastic and other industries.
- ◎4 Applicable products: all kinds of cylindrical, square, flat, oval, conic objects and packaging containers.
- ◎Applicable labels: self-adhesive paper labels, self-adhesive composite membrane, bar code, supervision code, anti-fake labels, laser labels etc.
- ◎Applicable instances: lubricating oil barrels, shampoo bottles, olive oil square vases, sauce cruets, cosmetic bottles, washing liquid bottles etc.

### 技术参数 Technical parameter

适用产品尺寸 (长x宽x高/厚)	Applicable product size (length x width x height/thickness)
长度 (输送方向) : 1500-3500mm	Length (conveying direction): 1500-3500mm
宽度 (输送宽度方向) : 850-1600mm	Width (conveying width direction): 850-1600mm
高度: 1200-1500mm	Height: 1200-1500mm
工作台面 (mm) : 800x1200mm	Work surface (mm): 800x1200mm
标签长度 (mm) : 25-300mm	Label length (mm): 25-300mm
纸卷外径: 420mm	Outer diameter of paper roll: 420mm
贴标速度 (m/min) : 15~ 35m/min	Labeling speed (m/min): 15~ 35m/min
重量 (kg) : 41460kg	Weight (kg): 41460kg
电源 (V) : AC 单相220V	Power supply (V): AC single-phase 220V
标签高度 (mm) : 25-235mm	Label height (mm): 25-235mm
纸卷内径 (直径) : 76mm	Inner diameter (diameter) of paper roll: 76mm
贴标精度 (mm) : ±1.0mm	Labeling accuracy (mm): ±1.0mm
频率 (Hz) : 50HZ	Frequency (Hz): 50HZ
功率 (W) 0.75-3.0KW	Power (W): 0.75-3.0KW





# SL-HMGIM131B.AAW/I- II HOT MELT GLUE LABELING MACHINE

(360°)热熔胶贴标机

## 主要特点:

- ◎该机采用智能数字人机对话触摸屏，操作简单，具有参数记忆功能。
- ◎采用进口伺服电机控制，跟踪速度快，稳定性高，寿命长，安全可靠。
- ◎选用国际品牌PLC、光纤传感器和色标光电开关。
- ◎具有标签长度调整功能，故障报警功能。
- ◎采用薄膜OPP等新型环保材料，标签收尾两端局部涂胶，真空吸附完成高速贴标；
- ◎整机采用优质不锈钢和铝合金制作，符合GMP标准和食品卫生安全要求，结构坚固，美观大方。

## Features:

- ◎Using thin film OPP, and other new type environmental protection materials;
- ◎Complete hi-speed labeling by vacuum absorbing after partially gluing at two tail ends of label;
- ◎The labeling pattern on finished product will not deform owing to using non- shrinkage label materials;
- ◎Applicable in product labeling of round, oval, square and other different shapes of plastic bottles, glass bottles and cans;
- ◎Application: washing liquid, beverages, dairy products, alcohol, food, chemical packaging and other industries;
- ◎Label material: OPP, pearl film, compound paper and package materials.



## 技术参数 Technical parameter

电源电压: 3相AC380V;	Supply voltage:three- phase AC380V;
调速方式:无极调速;	Speed adjustment mode: stepless;
出标速度:最大120M/min;	Label discharging speed: maximum 120M/min;
贴标精度:±0.5mm;	Labeling accuracy:± 0.5mm;
盘标尺寸:纸芯直径060-80mm;	Disc labeling size:paper core diameter: 60- -80mm;
标盘外径< 600mm;	Label disc OD <600mm;
标盘宽度30-200mm;	Label disc width: 30- -200mm;
容器直径: Ø40- 100mm;	Container diameter:40-1 00mm;
贴标速度: 6000- 12000Pcs/H;	Labeling speed:6,000- 12,000PCS/H;
贴标胶体:热熔胶, 只在标签2头涂胶;	Labeling colloidal:hot melt adhesive, only glued at end of label 2;
上胶温度: 120-160°	Gluing temperature :120-160
消耗气体: 0.3m³/min	Gas consumption:0.3m³/min
标签类型:OPP薄膜、珍珠膜、复合膜等标签;	Label material:OPP film, pearl film, compound paper and other labels;
贴标产品类型:适合在塑料、玻璃、金属等圆形、椭圆形容器上贴标;	Labeled product type:applicable to labeling plastic, glass and metal container of different shapes such as round, oval, and square;
整机重量: 2800Kg;	Total weight: 2,800Kg;
设备尺寸: L3500mmxW1550mmxH1480mm。	Equipment size: L3,500mmxW1 ,550mmxH1 ,480mm.



## Visual inspection

### 视觉检测

追求产品完美的质量，是众多企业梦寐以求的目标。视觉检测，可用在自动化流水线上，也可单独使用，完成对产品质量的检测，主要用途是用机器代替人眼来做测量和判断，即是对不良缺陷进行100%的高速全检，程度代替人眼检测，是提高产品质量，节省人工成本，减少材料损耗，改进流程控制的必备仪器。视觉检测筛选系统可安装在生产线上，对生产过程中的产品进行在线检测，发现不良品即发出警报或自动剔除不良品，最快0.5秒可完成一次检测，让合格品流向下一道加工工序。保质保量完成生产任务是用于生产、装配或包装的有价值的机制。它在检测缺陷和防止缺陷产品被配送到消费者的功能方面具有不可估量的价值。

The pursuit of perfect product quality is the goal of many enterprises. Visual detection, can be used in the automated assembly line, can also be used alone to complete the detection of product quality, the main purpose is to use a machine instead of human eyes to do measurement and judgment, that is, the defective defects of 100% high-speed full inspection, degree instead of human eye inspection. Measurement, is to improve product quality, save labor costs, reduce material loss, improve process control of the necessary instrument. Visual inspection screening system can be installed on the production line, opposite. Products in the production process of online detection, found defective products will alarm or automatically eliminate defective products, the fastest 0.5 seconds can complete a test, so that qualified products flow to the next Processing processes. Achieving a production task with quality and quantity is a valuable mechanism for production, assembly or packaging. It detects defects and prevents defective products from being delivered to consumers. The function aspect has immeasurable value.



## Dynamic weighing machine

### 动态称重机

**应用范围：**主要应用于各种自动化流水线以及水产、食品等行业。用来通过自动称重产品重量对产品进行多个等级的分选。广泛应用于制药、食品、水产、家禽、玩具类等行业在线重量分选。可直接替代人工称重，以达到提高生产效率，提高准确度和减少人工，降低成本的目的。提高产品安全系数，提升企业产品品质。

动态称重机可供多种产品在线重量检测和重量选别。该机具有精度高，性能稳定，速度快，效率高，操作简单，实用性强，人机界面，查看方便，自动式选别方式，免除人为错误等特点。

在线自动称重机主要用于小包装干货等按重量大小分选规格或等级，适用于企业流水线产品生产动态称重、产品品质重量检测，专用于产品整箱缺件、附件缺失的检查等等，累计合格及不合格品数、统计实时显示；配备自动剔除不合格处理分选设备，防止不良品的出厂。动态称重机一般采用的是不锈钢材料，防水效果好，坚固耐用。可实现高速、准确、稳定的计量。广泛应用于自动化生产包装一体化行业。

**Scope of application:** mainly used in a variety of automated assembly lines as well as aquatic products, food and other industries. It is used to carry out multiple levels of sorting of the product by automatically weighing the product. Widely used in pharmaceutical, food, aquatic products, poultry, toys and other industries online re-sorting. It can directly replace manual weighing in order to improve production efficiency, improve accuracy, reduce labor and reduce cost. Improve the product safety factor, improve the product quality of enterprises.

The online automatic weighing machine is mainly used for sorting specifications or grades according to the size of small packaging dry goods, which is suitable for dynamic weighing and product quality inspection of enterprise assembly line products, and is specially used for the inspection of missing parts in the whole box of products, missing accessories, and so on. Cumulative number of qualified and unqualified products, statistics real-time display: equipped with automatic elimination of unqualified processing and sorting equipment, to prevent the emergence of defective products ( ) factory. Dynamic weighing machine is generally made of stainless steel, waterproof effect is good, strong and durable. It can realize high speed, accurate and stable calculation. It is widely used in the integrated industry of automatic production and packaging. A variety of products. The machine has the characteristics of high precision, stable performance, fast speed, high efficiency car, simple operation, strong practicability, man-machine interface, convenient viewing, automatic separation mode, avoiding human error and so on.



#### 技术参数 Technical parameter

显示分度：0.1g	display rating: 0.1g
检测速度：0-110件/min	Detection speed: 0 ≤ 110 pieces / min
传感器量程：≤4000g	sensor mileage: s4000g
显示操作方式：触摸屏	display operation mode: touch screen maximum
最高测量精度：±0.1g	measuring accuracy: 0.1g
电源：单相 200v	power supply: single-phase 200v
功率：0.4kw	ower: 0.4kw
平台尺寸（长×宽）：1120x362mm	Platform size (length X width): 412x362mm



## Plastic bottle - baler

塑料瓶——打包机

### 单排套袋打包机 Single Row Bagging Baler

单排打包机使用于包装塑料中空容器制品，该设备代替了传统的手工包装作业，实现自动生产包装，节省人工，提高生产效率。包装材料使用成品薄膜袋，人工套在开口模架，单排推入工作平台，顺序一排一排推入袋内，直至满袋，封口机构开始工作，将袋口热封，完成一袋包装。操作简便，占地面积小。

The single-row packing machine is used to pack plastic hollow container products. This equipment replaces the traditional manual packing operation, realizes automatic production and packing, saves labor and improves production efficiency. The packaging material is the finished film bag, which is manually placed on the open mold frame, pushed into the working platform in a single row, and pushed into the bag in sequence, row by row, until the bag is full, the sealing mechanism starts to work, and the bag mouth is heat sealed to complete the packaging. Easy to operate and small footprint.

### 套袋打包机 Bag Packing Machine

本打包机使用于包装塑料中空容器制品，该设备代替了传统的手工包装作业，实现自动生产包装，节省人工，提高生产效率。包装材料使用成品薄膜袋，人工套在开口模架，单排推入工作平台，待储瓶平台满一袋的瓶子，推瓶机构将排列好的瓶子推入袋内，封口机构开始工作，将袋口热封，完成一袋包装。操作简便，占地面积小。

This baler is used for packaging plastic hollow container products. This equipment replaces the traditional manual packaging operation, realizes automatic production and packaging, saves labor and improves production efficiency. The packaging material is a finished film bag, which is manually placed on the open mold frame and pushed into the working platform in a single row. When the bottle storage platform is full of a bag of bottles, the bottle pushing mechanism pushes the arranged bottles into the bag, and the sealing mechanism starts to work. The bag mouth is heat-sealed to complete a bag package. Easy to operate and small footprint.

技术参数 Technical parameter

包装物	Packing	中空塑料制品 Hollow plastic products
瓶子容积	bottle volume	500ml-5000ml
袋子长度	bag length	600mm-1200mm
袋子宽度	bag width	400mm-700mm
袋子高度	bag height	100-350mm
装机功率	Installed power	2KW



自动制袋打包机  
Automatic bag making and packing machine



全自动制袋打包机使用于包装塑料中空容器制品，该设备代替了传统的手工包装作业，实现自动生产包装，节省人工，提高生产效率。包装材料使用滚桶薄膜，热封口自己制袋、套袋，采用伺服电机定位控制工序流程，操作方便，占地面积小。

The automatic bag making and packing machine is used for packaging plastic hollow container products. This equipment replaces the traditional manual packaging operation, realizes automatic production and packaging, saves labor and improves production efficiency. The packaging material is made of drum film, heat-sealed and bagged by itself, and the process flow is controlled by servo motor positioning, which is easy to operate and occupies a small area.

#### 特点:

- 1.自动化程度高，省掉人工，自动完成打包；
- 2.分人工套袋和伺服自动套袋；
- 3.人机界面设定参数，操作方便；
- 4.更换产品袋型方便，调整范围广。
- 5.触摸屏显示故障报警。

#### Features:

1. High degree of automation, save labor, and automatically complete packaging;
2. Divided into manual bagging and servo automatic bagging;
3. Human-machine interface to set parameters, easy to operate;
4. It is convenient to replace the product bag type and has a wide adjustment range.
5. The touch screen displays fault alarm.



# Plastic Bottles - Palletizer

塑料瓶——码垛机

## 自动码垛机 Automatic Palletizer

本打包机使用于包装塑料中空容器制品，该设备代替了传统的手工包装作业，实现自动生产包装，节省人工，提高生产效率。

托盘设计有储盘库，自动将托盘送入码垛位置，码垛完毕，传送带将码垛盘送出码垛机。

包装材料使用塑料托盘或木托盘、塑料隔板或纸隔板，码垛好后用薄膜缠绕。操作简便，占地面积小。

This baler is used for packaging plastic hollow container products. This equipment replaces the traditional manual packaging operation, realizes automatic production and packaging, saves labor and improves production efficiency.

The tray is designed with a storage tray, and the tray is automatically sent to the stacking position. After the stacking is completed, the conveyor belt sends the stacking tray out of the stacker.

The packaging materials use plastic pallets or wooden pallets, plastic partitions or paper partitions, and wrap them with film after palletizing. Easy to operate and small footprint.



## 半自动码垛机 Semi-automatic Palletizer

本打包机使用于包装塑料中空容器制品，该设备代替了传统的手工包装作业，瓶子在传送带上传输排队，整排推入平台或机械手把瓶抓起移动放入折边值纸盘中，实现自动生产包装，节省人工，提高生产效率。

包装材料使用塑料托盘或木托盘、塑料隔板或纸隔板，码垛好后用薄膜缠绕。操作简便，占地面积小。



This baler is used for packaging plastic hollow container products. This equipment replaces the traditional manual packaging operations. The bottles are transported and queued on the conveyor belt, and the whole row is pushed into the platform or the manipulator picks up the bottles and puts them into the folding value paper tray. Automatic production of packaging, saving labor and improving production efficiency.

The packaging materials use plastic pallets or wooden pallets, plastic clapboards or paper clapboards, and wrap them with film after stacking. Easy to operate and small footprint.

### 技术参数 Technical parameter

包装物： 中空塑料制品	Packaging: hollow plastic products
瓶子容积： 500ml-25000ml	Bottle volume: 500ml-25000ml
托盘长度： 800mm-1200mm	Tray length: 800mm-1200mm
托盘宽度： 600mm-1000mm	Tray width: 600mm-1000mm
码垛高度： 2400mm	Palletizing height: 2400mm
输送链板： 不锈钢链板	Conveyor chain plate: stainless steel chain plate
伺服驱动： 伺服电机定位控制	Servo drive: servo motor positioning control
链板调速： 变频器	Chain plate speed regulation: frequency converter
供气气源： 0.5-0.8MPa	Air supply source: 0.5-0.8MPa
输入电压： AC220V, 50HZ	Input voltage: AC220V, 50HZ
装机功率： 3KW	Installed power: 3KW





# PET IML machine

## PET 模内贴标机

### PET半自动模内贴标机 Pet Semi-automatic In-mold Labeling Machine

吹瓶机吹气结束，模具打开，机械手将标签放入模具内腔，真空将标签吸附在模具表面；模具夹料后回到吹瓶位，吹针吹气，料坯热量将标签与瓶身融合为一体，标签牢固嵌入制品表面。

- ◎ 标库采用万用标库或线切割标库，装入标签方便；
- ◎ X轴/Y轴使用伺服电机驱动，速度快，精度高；
- ◎ 操作屏使用触摸屏，数据写入便捷；
- ◎ 传动采用直线导轨和钢丝同步带，稳定性好，耐用；
- ◎ 标库取标和模具吸标使用真空压缩空气；
- ◎ 整机框架采用碳钢板焊接喷塑，美观、耐用。

When the blowing machine is finished blowing, the mold is opened, the manipulator puts the label into the cavity of the mold, and the vacuum adsorbs the label on the surface of the mold; after the mold is clamped, it returns to the blowing position, and the blowing needle blows air, and the heat of the blank binds the label to the bottle. The body is integrated, and the label is firmly embedded in the surface of the product.

- ◎ The standard library adopts the universal standard library or the wire cutting standard library, and the label is loaded;
- ◎ X axis/Y axis is driven by servo motor, with high speed and high precision;
- ◎ The operation screen uses a touch screen, which is convenient for data writing;
- ◎ The transmission adopts linear guide rail and steel wire timing belt, which has good stability and durability;
- ◎ Vacuum compressed air is used for the standard library and mold suction;
- ◎ The frame of the whole machine is made of carbon steel plate welded and sprayed with plastic, which is beautiful and durable.



#### 技术参数 Technical parameter

项目名称	The project name	参数parameters	项目名称	The project name	参数parameters
X轴行程	X-Labeling stroke	980-1400mm	进模贴标时间	Labeling duration	2.2-4.5 S
Y轴行程	Y-Labeling stroke	90 (125) mm	吹塑容器体积	Volume d container	0.1-5L
Z轴行程	Z-Labeling stroke	60-120mm	贴标精度	Accuracy of labeling	0.2-0.5mm
X轴旋转速度	X-RotationJ Speed	3000 r/min	适用气压	Applicable air pressure	0.4-0.8MPa
Y轴旋转速度	Y-FbtationJ Speed	3000 r/min	频率(HZ)	Frequency (HZ)	50HZ
X轴丝杠直径	X-Screw diameter	M20mm	供电电压	Voltage (V)	AC 220V

### 半自动码垛机 Semi-automatic Palletizer

PET吹瓶机吹气结束，模具打开，环形链条将瓶子移出模具，吹瓶机发出贴标信号，机械手将标签放入模具内腔，真空将标签吸附在模具表面；模具闭合，吹针吹气，料坯热量将标签与瓶身融合为一体，标签牢固嵌入瓶子表面。整个贴标过程自动完成，效率高。

- ◎ 标库采用线切割标库，储藏标签；
- ◎ X轴/Y轴使用伺服电机驱动，速度快，精度高；
- ◎ 操作屏使用触摸屏，数据写入方便；
- ◎ 传动采用直线导轨和钢丝同步带，稳定性好，耐用；
- ◎ 标库取标和模具吸标使用真空压缩空气；
- ◎ 整机框架采用碳钢板焊接喷塑，美观、耐用。

The PET bottle blowing machine finishes blowing, the mold opens, the ring chain moves the bottle out of the mold, the bottle blowing machine sends a labeling signal, the manipulator puts the label into the cavity of the mold, and the vacuum sucks the label on the surface of the mold; the mold is closed, and the needle blows The gas and the heat of the preform fuse the label with the bottle body, and the label is firmly embedded in the surface of the bottle. The whole labeling process is completed automatically, with high efficiency.

- ◎ The standard library adopts wire cutting standard library to store labels;
- ◎ X-axis/Y-axis are driven by servo motor, with high speed and high precision;
- ◎ The operation screen uses a touch screen, which is convenient for data writing;
- ◎ The transmission adopts linear guide rail and steel wire timing belt, which has good stability and durability;
- ◎ Vacuum compressed air is used for the standard library and mold suction;
- ◎ The frame of the whole machine is made of carbon steel plate welded and sprayed with plastic, which is beautiful and durable.

