



滁州金纬片板膜智能装备有限公司

CHUZHOU JWELL SHEET&PLATE&FILM INTELLIGENT MACHINERY CO., LTD.

Extrusion Solution Of SHEET & FILM



滁州金纬片板膜智能装备有限公司

安徽省滁州市铜陵路与杭州路
交叉路西侧 邮编: 239000

电话: 0550-3169988
187 5121 6188
传真: 0550-3167788

[Http://www.jwellequipment.com](http://www.jwellequipment.com)

CHUZHOU JWELL SHEET&PLATE&FILM INTELLIGENT MACHINERY CO., LTD.

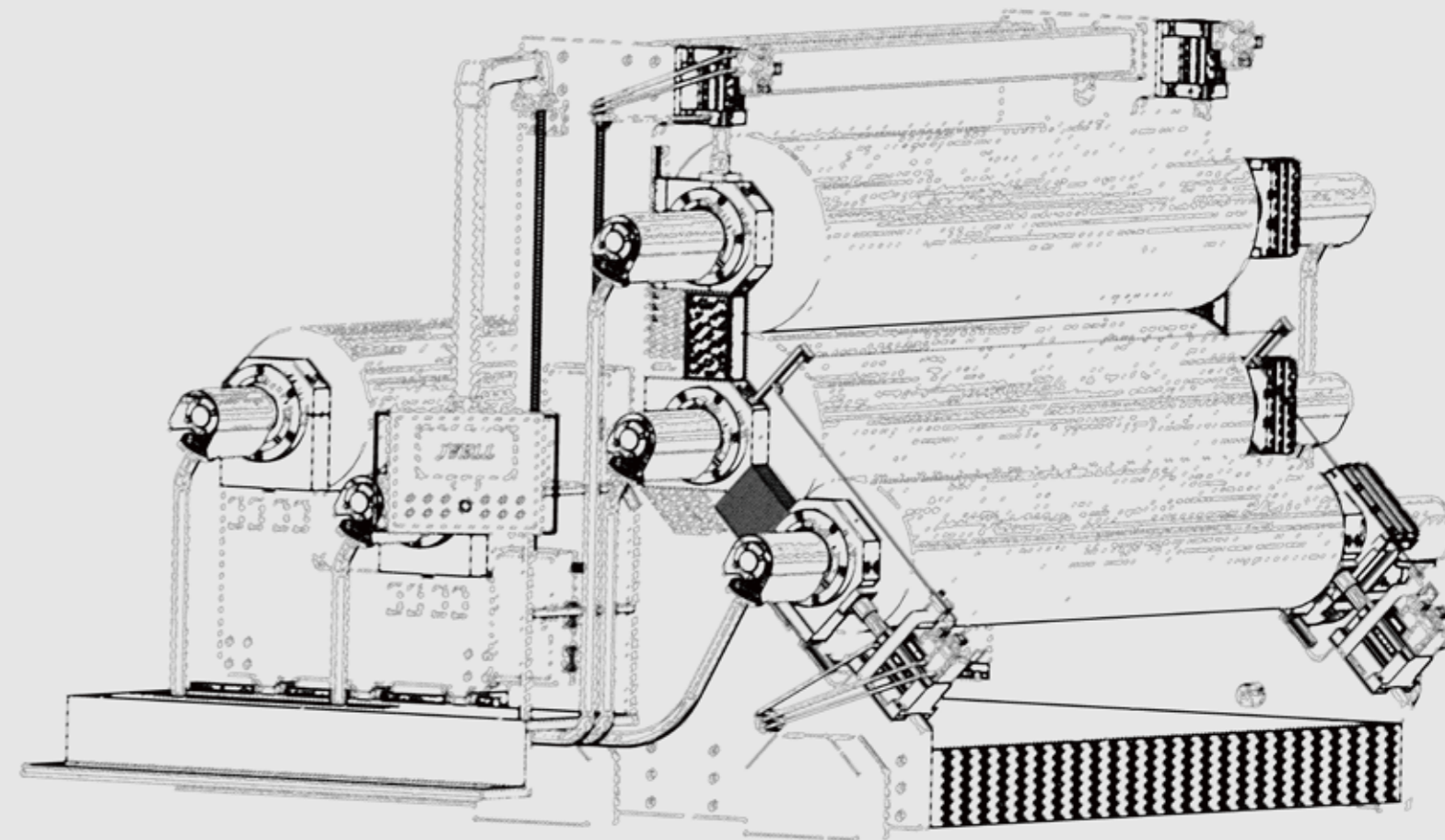
West of the intersection of Tongling Road and Hangzhou
Road, Chuzhou City, Anhui Province, China. 239000

Tel: +86-550-3169988
+86-18751216188
Fax: +86-550-3167788

E-mail: sales@jwell.cn
Complaint E-mail: info@jwell.cn



扫一扫
关注滁州金纬片板膜微信公众号



滁州金纬片板膜智能装备有限公司简介:

滁州金纬片板膜智能装备有限公司是上海金纬公司的又一重要发展战略中心，坐落于滁州市国家级经济技术开发区，是一家致力于塑料挤出成型设备的研发、制造的高科技企业。厂区占地面积 235 余亩，公司拥有一支高素质的研发队伍和经验丰富的机械、电气调试工程师团队，以及先进的机械加工基地和规范的装配车间。公司本着“用心持久、拼搏创新”的企业精神，不断探求开拓挤出新领域。热烈欢迎国内外新老客户莅临我司参观、指导、合作，我们愿为您提供强有力的支持。



公司产品已遍布全国各地，并出口到俄罗斯、印度、韩国、印尼、中东、非洲和南美洲、西班牙、意大利等100多个国家和地区，深受客户好评。

“品质卓越 完美如一”

是金纬公司的质量方针，是全体员工努力的方向。

“诚实待人”

是我们铸就“百年金纬”的核心理念。

董事长：何海潮 E-mail: he@jwell.cn

CHUZHOU JWELL SHEET&PLATE&FILM INTELLIGENT MACHINERY CO., LTD. is another development strategy center of Shanghai JWELL Machinery Co.,Ltd, locating at Chuzhou National Economic and Technological Development Zone, a high-tech manufacturer specializing in research and development of plastic extrusion equipment. The factory area is of 235 acres; We have a high qualified R&D and experienced mechanical and electrical engineer team as well as advanced processing foundation and normative assembly shop. Our enterprise spirit is "Attentive, Enduring, Quick and Orderly", keeping on exploring of new extrusion field. Mostly welcome to new and old customers to visit us for investigation, guidance and cooperation. We are happy to offer powerful support.



Our customers are all over China, and we have customers in Russia, India, Korea, Indonesia, Middle East, South America, Spain, Italy and other countries. Our machines are well accepted by our customers.

President: He Haichao Mobile /WhatsApp +86 13601628188



PP/PE二氧化碳超临界发泡生产线 PP, PE Carbon Dioxide Supercritical Foaming Production Line

PP发泡板也称聚丙烯发泡板，是以聚丙烯为原料，用二氧化碳气体发泡完成的，可广泛应用于汽车零部件、设备制造、文具、包装、建筑材料等领域。

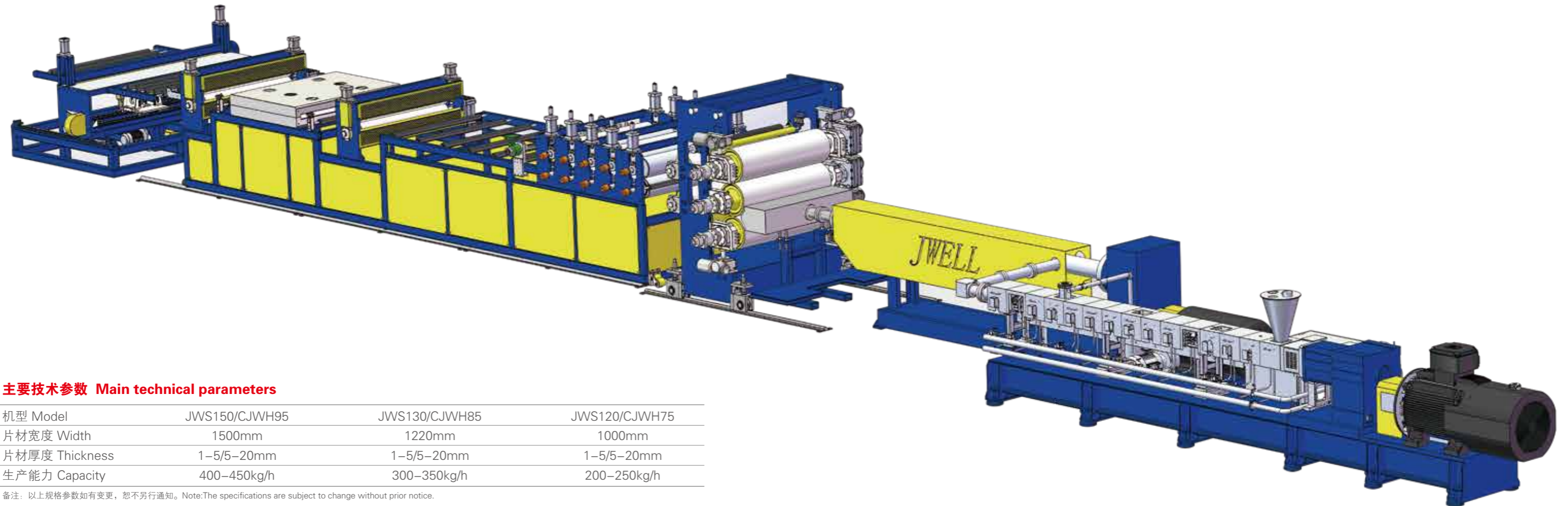
PP foam board, also known as polypropylene foam board, is made of polypropylene as raw material and foamed with carbon dioxide gas. It can be widely used in auto parts, equipment manufacturing, stationery, packaging, building materials and other fields.

发泡板性能:

1. 优良的耐热性
2. 优良的力学性能
3. 显著的隔热性
4. 良好的回弹性
5. 耐化学腐蚀性
6. 良好的耐应力开裂性能
7. 可回收再生

PP foam board performance:

1. Excellent heat resistance
2. Excellent mechanical properties
3. Significant thermal insulation
4. Good resilience
5. Chemical resistance
6. Good stress cracking resistance
7. Recyclable and renewable



主要技术参数 Main technical parameters

机型 Model	JWS150/CJWH95	JWS130/CJWH85	JWS120/CJWH75
片材宽度 Width	1500mm	1220mm	1000mm
片材厚度 Thickness	1-5/5-20mm	1-5/5-20mm	1-5/5-20mm
生产能力 Capacity	400-450kg/h	300-350kg/h	200-250kg/h

备注：以上规格参数如有变更，恕不另行通知。Note: The specifications are subject to change without prior notice.

PP/PS环保片材生产线

PP, PS Environmental Sheet Extrusion Line

金纬机械研制开发的PP/PS片材生产线，用于生产多层复合环保片材，该片材主要用于吸塑成型各类食品容器和包装，如：托盘、面碗、饭盒、糕盒、水果盘等。该设备可有效的利用石粉比例，既降低片材原料成本，又提高片材的可降解性并保证片材的综合物理性能和后续可加工性能。

Developed by Jwell, this line is for producing multi-layer environmental-friendly sheet, which is widely used for vacuum forming, green food container and package, different kinds of food packaging container, such as: salver, bowl, canteen, fruit dish, etc. Adopting maxim talc percentage in the sheet production, either customer will be able to reduce the cost of the sheet or increase the sheet degration character as well as gaining good physical properties and further processing abilities.



主要技术参数 Main technical parameters

机型 Model	JWS150/120/90-1800	JWS150/60-1200	JWS130/60-1000	JWS120-1000	JWS100-800
片材宽度 Width	1500mm	1000mm	900mm	800mm	600mm
片材厚度 Thickness	0.3-2mm	0.3-2mm	0.3-2mm	0.2-2mm	0.1-0.8mm
生产能力 Capacity	1000-1200kg/h	700-800kg/h	550-600kg/h	400-500kg/h	300-350kg/h

备注：以上规格参数如有变更，恕不另行通知。Note:The specifications are subject to change without prior notice.

双螺杆免干燥排气型PET/PLA片材生产线 Twin Screw Dyer-free Vented PET, PLA Sheet Extrusion Line

金纬机械推出的双螺杆免干燥排气型PET/PLA片材生产线具有低能耗、工艺简单，设备使用维护方便的特点。其特有的螺杆组合结构有效的减少了PET/PLA树脂的粘度降，对称式薄壁型辊筒提高了冷却效率同时提升了产能和片材品质，多组分喂料装置可合理的控制新料、回料、色母等的比例，所生产的片材可用于吸塑印刷包装等领域。

JWELL develops the parallel twin screw extrusion line for PET,PLA sheet, this line equipped with degassing system, and no need drying and crystallizing unit. The extrusion line has the properties of low energy consumption, simple production process and easy maintenance. The segmented screw structure can reduce the viscosity loss of PET,PLA resin, the symmetrical and thin-wall calender roller heighten the cooling effect and improve the capacity and sheet quality. Multi components dosing feeder can control the percentage of virgin material, recycling material and master batch precisely, the sheet is widely used for thermoforming packaging industry.



主要技术参数 Main technical parameters

机型 Model	共挤线 Multi layer	单层线 Single layer	高效 Highly-efficient
挤出机规格 Extruder specification	JW75&36/40-1000	JW75/40-1000	JW95&52/44-1500
制品厚度 Thickness of the product	0.15-1.5mm	0.15-1.5mm	0.15-1.5mm
主电机功率 Main motor power	110kw/45kw	110kw	250kw/55kw
最大挤出产量 Max extrusion capacity	500kg/h	450kg/h	800-1000kg/h

备注：以上规格参数如有变更，恕不另行通知。Note:The specifications are subject to change without prior notice.

APET/PETG/CPET/PLA单螺杆片材生产线 APET, PETG, CPET, PLA Sheet Extrusion Line

APET、PETG、CPET、PLA单层及多层共挤片材生产线

是目前国内技术先进、工艺成熟、设备稳定的片材生产线之一，与国内同类设备相比，综合效能高30%以上，此生产线同时也可用于生产PS、PP、PE等片材制品。

APET, PETG, CPET, PLA single-layer or multi-layer sheet extrusion machine

It's one of the most advanced production lines with matured technology and stability in China. Compared with other same kind equipment, it's over 30% higher in overall efficiency. Line is suitable for PS, PP, PE as well.

主要技术参数 Main technical parameters

机型 Model	共挤线 Multi layer	单层线 Single layer	高效 Highly-efficient
挤出机规格 Extruder specification	JW120/65-1000	JW120-1000	JW120-1500
制品厚度 Thickness of the product	0.20-1.5mm	0.15-1.5mm	0.15-1.5mm
主电机功率 Main motor power	110kw/45kw	110kw	160kw
最大挤出产量 Max extrusion capacity	500kg/h	450kg/h	800kg/h

备注：以上规格参数如有变更，恕不另行通知。Note: The specifications are subject to change without prior notice.



PETG片材 PETG sheet

PETG俗称低温PET，产品具有高光泽、高透明、有优良的阻隔性、自粘性的新型环保包装材料。可用于胶水粘合、高周波加工。PETG is called low temperature PET, it's a new environment-friendly packing material with features such as high luster, good transparency, excellent barrier property, self-adhesion, which is used for glue bonding and high-frequency processing.

CPET片材 CPET sheet

CPET是一种改性PET，具有耐高温的特性，通常用于微波炉烤盘等。

CPET is a kind of modified PET. With good resistance to high temperature, it is usually used for package in microwave oven.

PET立体光栅片 PET stereoscopic optical grating sheet

广泛适用于化妆品、药品、烟酒包装及一般商品等三维防伪外包装以及文具、挂件、宣传广告、海报、各式卡片、吊卡等领域。It can be used as top grade package for cosmetics, medicine, tobacco & alcohol and common goods such as stationery, advertisements, posters and all kinds of cards.

PLA片材 PLA sheet

聚乳酸PLA是可降解树脂，可用于水果、蔬菜、鸡蛋、熟食和烘烤食品的硬包装，也可用于三明治、饼干和鲜花等商品的包装。PLA is a kind of line shape Aliphatic Polyesters. PLA can be used in rigid package of fruits, vegetables, eggs, cooked food and roast food, also can be used for packaging of sandwich, biscuit and some other packages like fresh flower.

PP/EVA/EVOH/PS/PE多层共挤阻隔片材生产线 PP, EVA, EVOH, PS and PE Multi-Layer Sheet Co-Extrusion Line

PP、EVA、EVOH、PS、PE多层共挤阻隔片材生产线

由于市场对产品越来越苛刻的要求，金纬开发了先进的五层对称和七层非对称分配技术，使该设备生产出的产品获得了更优异的阻隔性能。

PP, EVA, EVOH, PS and PE multi-layer sheet co-extrusion line

To meet market's high request on products, JWELL develops advanced technology of five layer symmetrical distribution and seven layer asymmetrical distribution, which makes the sheets having better barrier performance.

PP/EVA/EVOH/EVA/PP五层或七层共挤复合高阻隔保鲜包装片材

是具有良好的阻气性、阻湿性，是气体阻隔性能良好的一种塑料包装材料。主要应用于果冻包装，高档肉食品、快餐米饭等食品包装，药品、化妆品等包装。

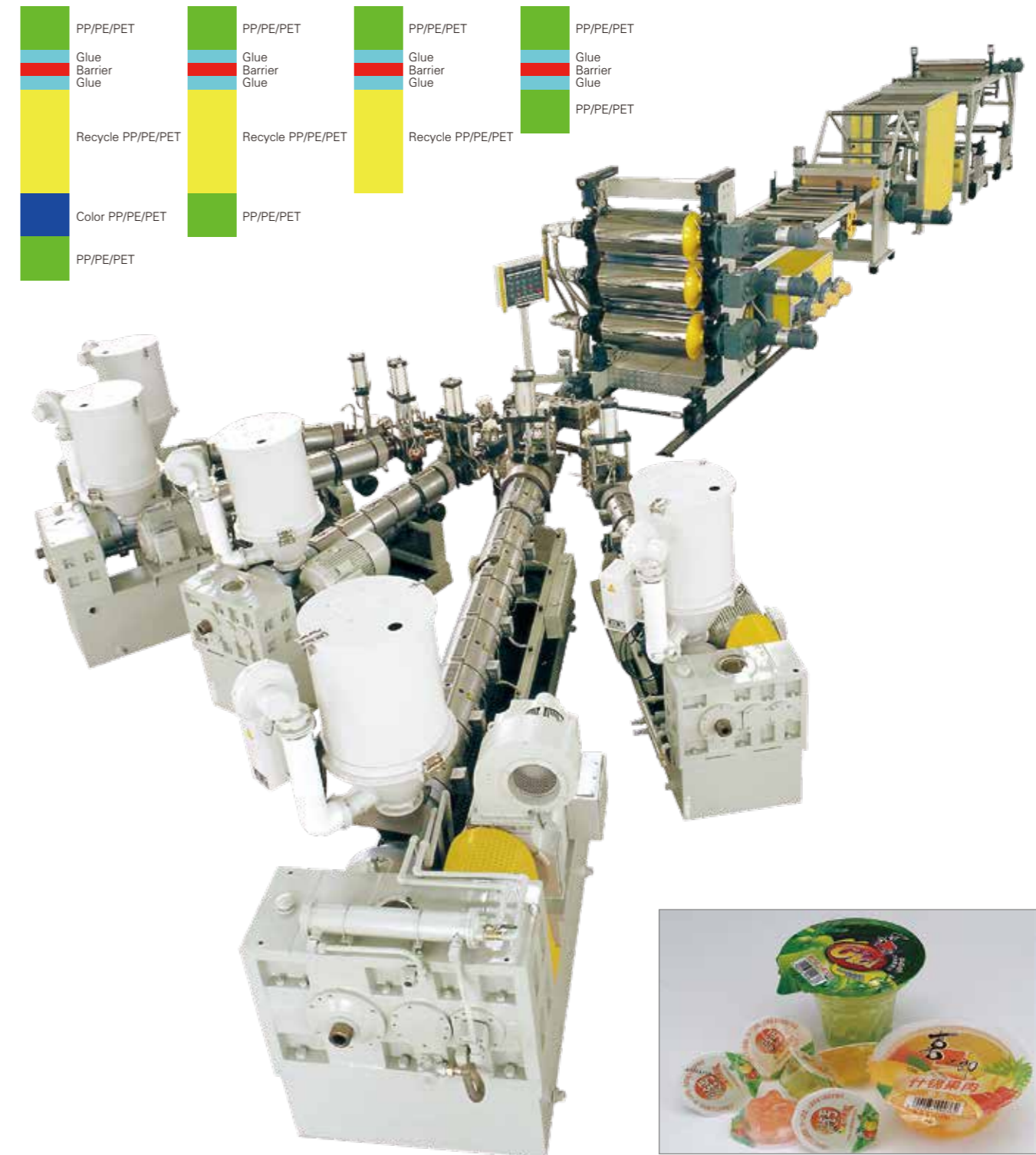
PP/EVA/EVOH/EVA/PP five or seven multi-layer co-extrusion high barrier fresh keeping sheet

has the excellent anti-oxygen and anti-humidity features. It is one of the best barrier packing materials. Mainly used for Jelly packing, meat packing, snack food packing, medicine and cosmetic packing and so on.

主要技术参数 Main Technical Parameters

机型 Model	JW100/45/45-1000	JW120/45/30/65-1200	JW150/45/45-1500
适用原料 Suitable material	PP、PE、PET、PS		
片材宽度 Width	800mm	1000mm	1200mm
片材厚度 Thickness	0.5-2mm	0.5-2mm	0.5-2mm
生产能力 Capacity	300kg/h	400kg/h	650kg/h
设计线速度 Designed line speed	15m/min	20m/min	30m/min
辊筒直径 Calendar diameter	Ø400mm	Ø500mm	Ø600mm

备注：以上规格参数如有变更，恕不另行通知。Note: The specifications are subject to change without prior notice.



PVC透明片/装饰片材生产线 PVC Transparent Sheet, Decorative Sheet Production Line

PVC硬质片材分为两种：透明硬质片材和不透明硬质片材两种：

PVC透明硬片：药品/礼品/文具包装，LED扩散板；

PVC木塑板材：装饰板，门板，广泛应用于建筑装饰行业。

PVC仿大理石板材：

a、板材表面覆仿大理石纹装饰膜，或者热转印仿大理石纹并UV固化处理，良好的抗划伤性，耐刮擦性；

b、板材花色、品种多样，施工方便；

c、在室内墙体装潢中替代大理石等天然石材，良好的耐老化性、抗紫外线、耐黄变，绿色环保、无辐射。

PVC rigid sheets are divided into two types: transparent sheet and non-transparent sheet:

PVC Transparent Rigid Sheet: Medicine/Gift/Stationery packaging, LED diffuser plate;

PVC Wood-Plastic plate: Decorative panels, door panels, widely used in the building decoration industry.

PVC Imitation Marble Board:

a. The surface of the board is covered with imitation marble pattern, or heat transfer imitation marble pattern and UV curing treatment, good scratch resistance.

b. Board with variety of color, it's convenient to construct.

c. Replace the natural stone such as marble in the interior wall decoration, good ageing resistance, UV resistance, yellowing resistance, green environmental protection, no radiation.



主要技术参数 Parameters of extrusion line

种类 Species	透明片材 Transparent sheet	木塑板材 Wood-plastic board	UV仿大理石 Imitation marble board	PVC装饰板 PVC decoration sheet
型号 Model	SJZ80/156	JSJZ80/156	SJZ80/156	SJZ92/188
适用原料 Material	PVC	PVC	PVC	PVC
制品宽度 Products width	1220mm	1220mm	1220mm	2000mm
制品厚度 Products thickness	0.5-3mm	1.5-3mm	4-5mm	1.5mm
产量 Output	400kg/h	450kg/h	600kg/h	600-700kg/h

备注：以上规格参数如有变更，恕不另行通知。Note: The specifications are subject to change without prior notice.



PP+淀粉改性降解片材生产线

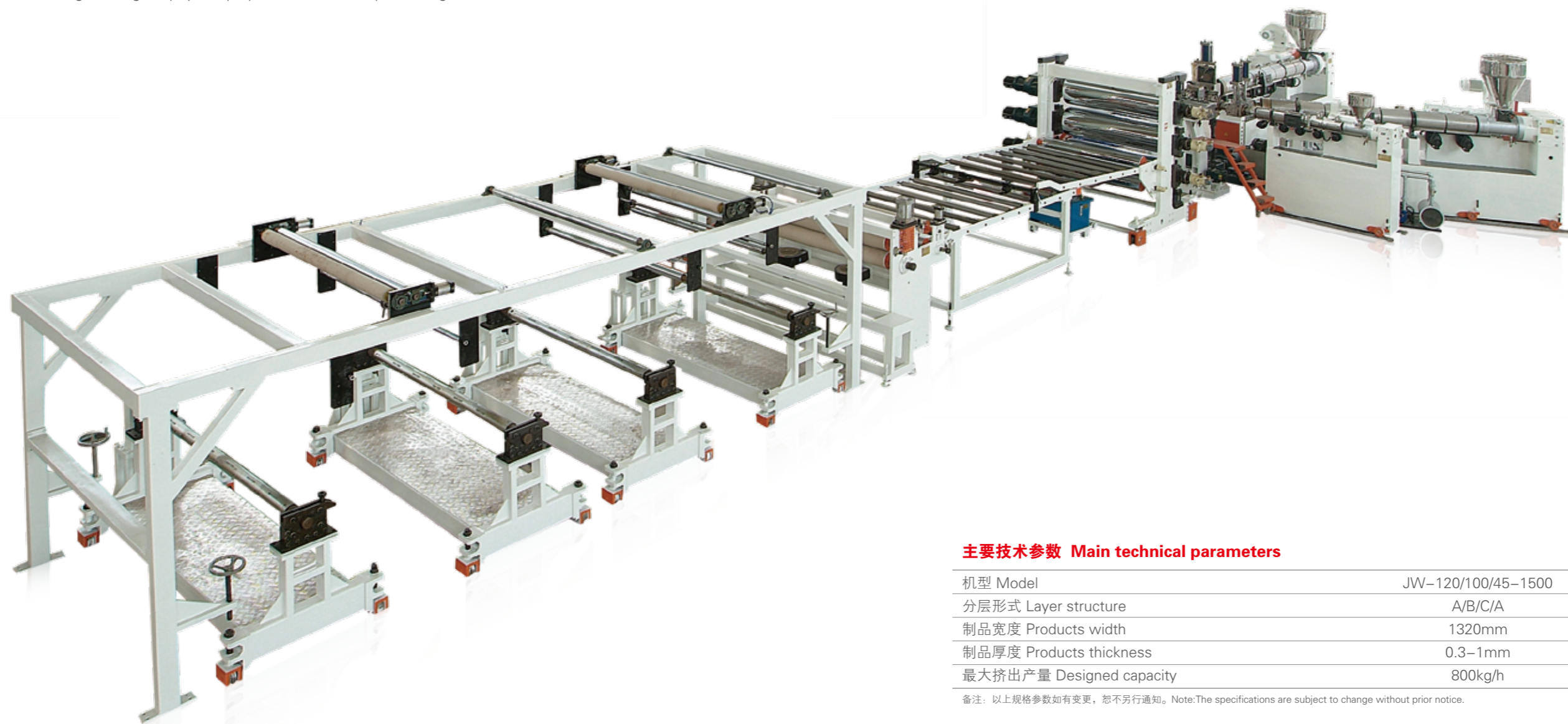
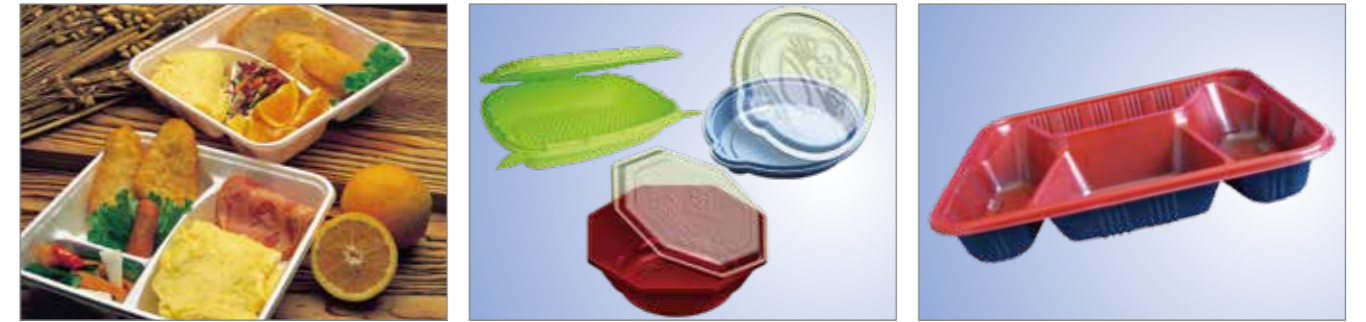
PP+ starch Modified Degradation Sheet Production Line

PP+淀粉改性降解片材生产线

金纬机械研制开发的PP+淀粉改性降解片材生产线，采用三台挤出机三层或四层共挤法，选用金纬新设计的PP+淀粉专用排气式螺杆结构，PLC电脑控制和自动测厚仪跟踪检测，从而有效利用淀粉比例，在降低片材原料成本的基础上，又确保片材的综合物理性能和后续可加工性能，使生产线产能指数达到良好状态，是目前国内先进的片材机组之一。

PP+ starch modified degradation sheet production line

It developed by Jwell company uses the three extruders for 3 or 4 layers co-extrusion. This line adopts the Jwell latest designed PP+starch vented screw and the PLC computer controlling device and automatic thickness detection device so that the machine can maximize the percentage of the starch in the sheet production to reduce the cost of the sheet and the sheet produced can gain the good physical properties and further processing abilities. It is the most advanced sheet machine in China.



主要技术参数 Main technical parameters

机型 Model	JW-120/100/45-1500
分层形式 Layer structure	A/B/C/A
制品宽度 Products width	1320mm
制品厚度 Products thickness	0.3-1mm
最大挤出产量 Designed capacity	800kg/h

备注：以上规格参数如有变更，恕不另行通知。Note: The specifications are subject to change without prior notice.

PC/PMMA/GPPS光学片材生产线 PC, PMMA, GPPS Optical Sheet Production Line

PC、PMMA、GPPS光学片材生产线

为了满足市场的需要，金纬机械凭借先进的工艺技术及装备向用户提供了光学级片材生产线。根据原料的流变性设计的专用螺杆和精密的计量泵系统和模具保证了熔体的均匀稳定和片材优异的光学性能；精密的压光系统给片材的机械物理性能提供了保障。

PC, PMMA, GPPS Plastic Sheet & Plate Extrusion Line

To meet the demands of market, JWELL supply customer PC PMMA optical sheet extrusion lines with advanced technology, the screws are specially designed according to the rheological property of raw material, precise melt pump system and T-die, which makes the extrusion melt is even and stable and the sheet has excellent optical performance. Precise calender system guarantees the mechanical & physical properties of sheets.



主要技术参数 Main technical parameters

型号 Model	JW130/38-2200	JW120/38-1400
适用原料 Material	PC、PMMA、GPPS	PC、PMMA、GPPS
制品宽度 Products width	2200mm	1400mm
制品厚度 Products thickness	1.5-10mm	1.5-10mm
挤出机规格 Extruder specification	Ø130/38; Ø45/30	Ø120/38
最大挤出产量 Capacity (Max.)	550kg/h	450kg/h

备注：以上规格参数如有变更，恕不另行通知。Note:The specifications are subject to change without prior notice.



ABS/HIPS/PMMA冰箱板/洁具板材生产线 ABS, HIPS, PMMA Refrigerator Plate, Sanitaryware Plate Extrusion Line

ABS、HIPS、PMMA冰箱板、洁具板生产线

金纬提供国内领先的大产量低能耗板材挤出生产线，具备集中供料系统及机械手自动堆垛装置，实现了高程度的自动化生产功能，大大的降低生产成本并提高了产品品质。该生产线深受广大客户的欢迎。

ABS, HIPS, PMMA refrigerator plate, sanitaryware plate extrusion line

JWELL provides the leading plate extrusion lines with large output and low energy consumption, the lines are equipped with concentrated material feeding system and automatic piler, its automatic production function reduce the cost of processing and improve product quality highly. This extrusion line is popular in our customers.

冰箱板 Refrigerator board

主要用于冰箱冰柜门胆、内胆、抽屉、接水盘、饮水机等。

It has wide application in production of refrigerator door and inner gallbladder, drawers, water dispensers, etc.

洁具板 Sanitaryware plate

用于卫浴产品如：浴缸、淋浴房、蒸汽房、洗脸槽。

It is widely applied in the field of bath products, such as the bathtub, the shower cabinet, the vapor room, washing bowl, etc.

广告板 Advertising board

主要应用于：指示导向牌、胸标牌、机械标牌、广告装潢、室内装饰等。

This board is mainly used in guiding board, machinery sign, advertisement decoration, indoor decoration and so on.

箱包板 Baggage plate

主要用于各种拉杆箱、行李箱、休闲包等箱包。

It is mainly applied in field of draw-bar boxes, luggage cases, recreation bags, etc.

汽车板 Car plate

主要用途：汽车车顶、仪表板；座椅靠板、车门板、窗框；摩托车、沙滩车、代步车、高尔夫球车等外壳。

It is mainly used for producing tops of cars and buses, instrument boards, backrest, car doors, window frames, shells of the motorcycles, golf vehicles, etc.



主要技术参数 Main technical specification

机型 Model	JW160/60-2200	JW130/60-2000	JW120/60/45-1900	JW130/70/60-2700
适用原料 Suitable material	ABS、HIPS	ABS、HIPS	ABS、HIPS	ABS、PMMA
挤出机规格 Extruder model	JWS160/38,60/35	JWS130/38、60/35	JWS120/38,60/35,45/35	JWS130/38,70/35,60/35
共挤分层形式 Feed form	A/B,A/B/A	A/B,A/B/A	A/B/C	A/B/C/B/A
制品宽度 Products width	2000mm	1800mm	1700mm	2100-2500mm
制品厚度 Products thickness	1-6mm	1-6mm	1-6mm	2-8mm
最大挤出产量 Designed capacity	1500kg/h	1200kg/h	550kg/h	700kg/h

备注：以上规格参数如有变更，恕不另行通知。Note:The specifications are subject to change without prior notice.

PP/PE/ABS厚板生产线 PP, PE, ABS Thick Plate Extrusion Line

PP厚板生产线 PP thick plate extrusion line

PP厚板，可广泛用于化学工业、食品行业、防腐行业、净化行业、环保设备生产行业。
2000mm宽PP厚板生产线是金纬新开发的领先于同行的最稳定的生产线。

PP thick plate, is an environmentally-friendly product and is widely applied in chemistry industry, food industry, anti-erosion industry, environmentally-friendly equipments industry, etc.

PP thick plate extrusion line of 2000mm width is a newly developed line which is the most advanced and stable line compared with other competitors.

PE厚板生产线 PE thick plate extrusion line

聚乙烯 (PE) 板材广泛应用于化工、电力等工业上。HDPE板还可作为工程塑料应用在机械、化工等设备上，广泛用于制造冰球场墙板。

PE plate is widely applied in chemical and electric power industries. HDPE plate, known as engineering plastics, is used in mechanical and chemical equipments as well as ice hockey ring walls.

ABS厚板生产线 ABS thick plate extrusion line

ABS厚板广泛应用于家电、电子、包装、医疗器械等领域。

ABS thick plate is widely used in the home appliance, electronics, packaging, medical appliance.



主要技术参数 Main technical specification

机型 Model	JW120-1600	JW150-2100	JW170-2600	SJZ80/156-1500
适用原料 Suitable material	PP、PE、ABS、PVDF	PP、PE、ABS	PP、PE、ABS	PVC
制品宽度 Products width	1220mm	1500mm	2000mm	1220mm
制品厚度 Products thickness	3-30mm	3-30mm	3-30mm	3-30mm
设计挤出产量 Designed capacity	350kg/h	500kg/h	700kg/h	400kg/h

备注：以上规格参数如有变更，恕不另行通知。Note:The specifications are subject to change without prior notice.



PVC厚板生产线

PVC Thick Plate Extrusion Line

PVC厚板特点及用途: PVC厚板表面光洁, 平整, 不吸水, 不变形, 易于加工等优点, 是优等的热成型材料, 能替代部分不锈钢和其它耐腐蚀合成材料, 被广泛用于化工, 石油, 电镀, 水净化处理设备, 环保设备等行业。

PVC thick plate features and uses: PVC thick plate surface is smooth, flat, non-absorbent, non-deformable, easy to process, etc. It is an excellent thermoforming material that can replace some stainless steel and other corrosion-resistant synthetic materials and is widely used in chemical industry. Oil, electroplating, water purification equipment, environmental protection equipment and other industries.



主要技术参数 Main technical parameters

型号 Model	SJZ80/156
适用原料 Material	PVC
制品宽度 Products width	1220mm
制品厚度 Products thickness	5-100mm
产量 Output	450kg/h

备注: 以上规格参数如有变更, 恕不另行通知。Note: The specifications are subject to change without prior notice.

PC耐力板/波浪板生产线

PC Sheet Extrusion Line, Corrugated Sheet Extrusion Line

PC耐力板

适用范围：园林、游艺场所奇异装饰及休息场所的廊亭；商业建筑的内外装饰品，现代城市楼房的幕墙；航空透明集装箱、摩托车前风挡、飞机、火车、轮船、汽车、汽船、潜艇及玻璃军警盾牌；电话亭、广告路牌、灯箱广告展示展览的布置；高速公路及城市高架路隔音屏障。

Applicable scope of PC endurance board

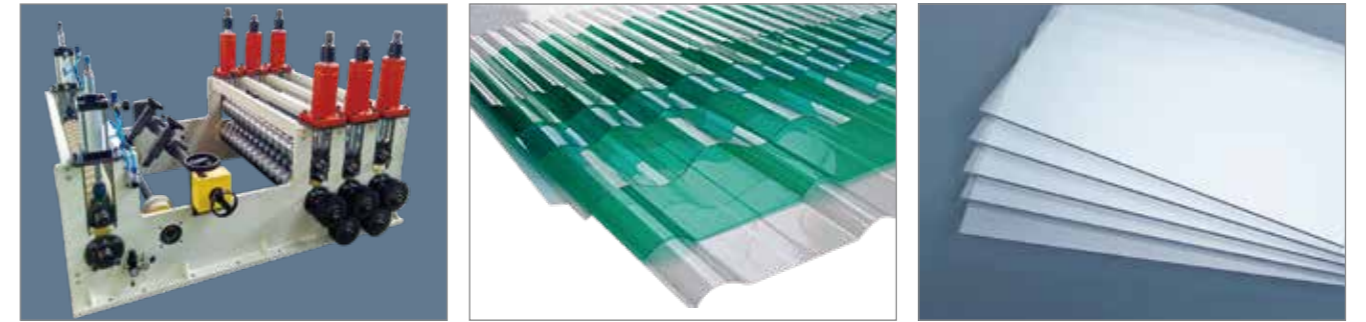
Garden, the recreation place, decoration and the corridor pavilion; Internal and external ornaments in the commercial building, curtain wall of the modern urban building; transparent container of aviation, the windscreen before the motorcycle, the plane, the train, the steamer, the submarine, army and police's shield, the telephone booth, advertising signpost, the advertisement of the lamp houses, the expressway and overhead way of the city partition protective screen.

PC波浪板

PC波浪板以其优良的耐候性、抗冲击性。及高透光性等优良性能，广泛应用于仓库屋顶和简易建筑构造物的顶棚，如：运动馆、游泳池、滑雪场等内场通道、车站休息亭等等，具有广阔的市场前景。

PC corrugated sheet

PC corrugated board has the merits of good weather resisting property, impact resistance, high light transmission. It is widely used in the roof for warehouses and easy constructions, such as stamming pools, skiing fields, station rest pavilions and so on.



主要技术参数 Main technical parameters

型号 Model	JW-130/38-2200	JW120/38-1400
适用原料 Material	PC	PC
制品宽度 Products width	2100mm	1300mm
制品厚度 Products thickness	2-10mm	1.5-10mm
挤出机规格 Extruder specification	130/38; 45/30	120/38
最大挤出产量 Capacity (Max.)	550kg/h	450kg/h

备注：以上规格参数如有变更，恕不另行通知。Note: The specifications are subject to change without prior notice.

PVC地板革生产线 PVC Floor Leather Extrusion Line



主要用于生产PVC地板革类产品。PVC地板革具有耐磨、耐腐、防滑、防渗、阻燃的性能，广泛用于机车、宾馆、酒店、娱乐厅、展馆、家庭。

可以根据客户的要求，配置不同的设备组件，用于生产单层、多层复合产品；也可增加放卷装置，生产内增强产品或表面复合无纺布、PVC装饰膜等的产品。

Mainly used for producing the sort of PVC Floor leather rolls. PVC Floor leather has the performance of anti-friction, corrosion resistance, skidproof, impermeable and inflaming retarding, and is widely used on auto, hotel, amusement place, exhibition hall, house, etc.

The structure of this production line is simple, and convenient to operation. According to customers' requirement, equipped with different components, used for producing single layer, multi-layer composite production and also can be equipped with unreeling unit, used for producing inner strengthen production or surface compound non-woven fabrics and PVC decoration film, etc.



主要技术参数 Main technical parameters

型号 Type	双层 Double layers	三层 Three layers
制品宽度 Products width	1500-2000mm	2000-3000mm
挤出机规格 Extruder specification	SJZ65/132 - SJZ80/156	SJZ65/132 - SJZ80/156 - SJZ65/132
最大挤出量 Max output capacity	500-550kg/h	600-750kg/h
主电机功率 Main motor power	37kw/55kw	37kw/55kw/37kw

备注：以上规格参数如有变更，恕不另行通知。Note: The specifications are subject to change without prior notice.

高速铝塑复合板

High Speed Aluminum Plastic Composite Panel Extrusion Line



铝塑复合板简称铝塑板是由经过表面处理并涂装（用氟碳涂层或聚酯涂层）的铝箔作为表层、聚乙烯材料作为芯层，并通过热复合工艺生产而成的新型装饰材料；主要应用于建筑幕墙、外墙装饰与广告、室内装饰等。

结合传统的生产工艺和实践经验，开发的高速铝塑板生产线，采用先进的挤出系统，可以生产高填充的阻燃级铝塑板，最高产量1800kg/h，最高生产线速度10m/min，可生产宽度900-1560mm，铝箔厚度0.18mm以上的产品。

同时本司也提供传统的铝塑板生产线，最高产量500-800kg/h，最高线速度5m/min，可以生产宽度900-1560mm，铝箔厚度0.06-0.5mm的制品。

Aluminum plastic composite panel called ACP in short, composed by aluminum foil and polyethylene, adopting thermo coating technology to produce this new construction material. It is widely used for construction wall, outer door decoration as well as advertising and inner door decoration.

Combining traditional processing technology and practical experience, Suzhou JWELL machinery Co.,ltd develops high speed flame retardant grade ACP board. the maximun output can be 1800kg/h, line speed is 10m/min, width is 900-1560mm, aluminum foil thickness is more than 0.18mm.

Also, we are supplying normal ACP line with output range 500-800kg/h, maxim line speed 5m/min, suitable product width 900-1560mm, aluminum foil thickness 0.06-0.5mm.



主要技术参数 Main technical parameters

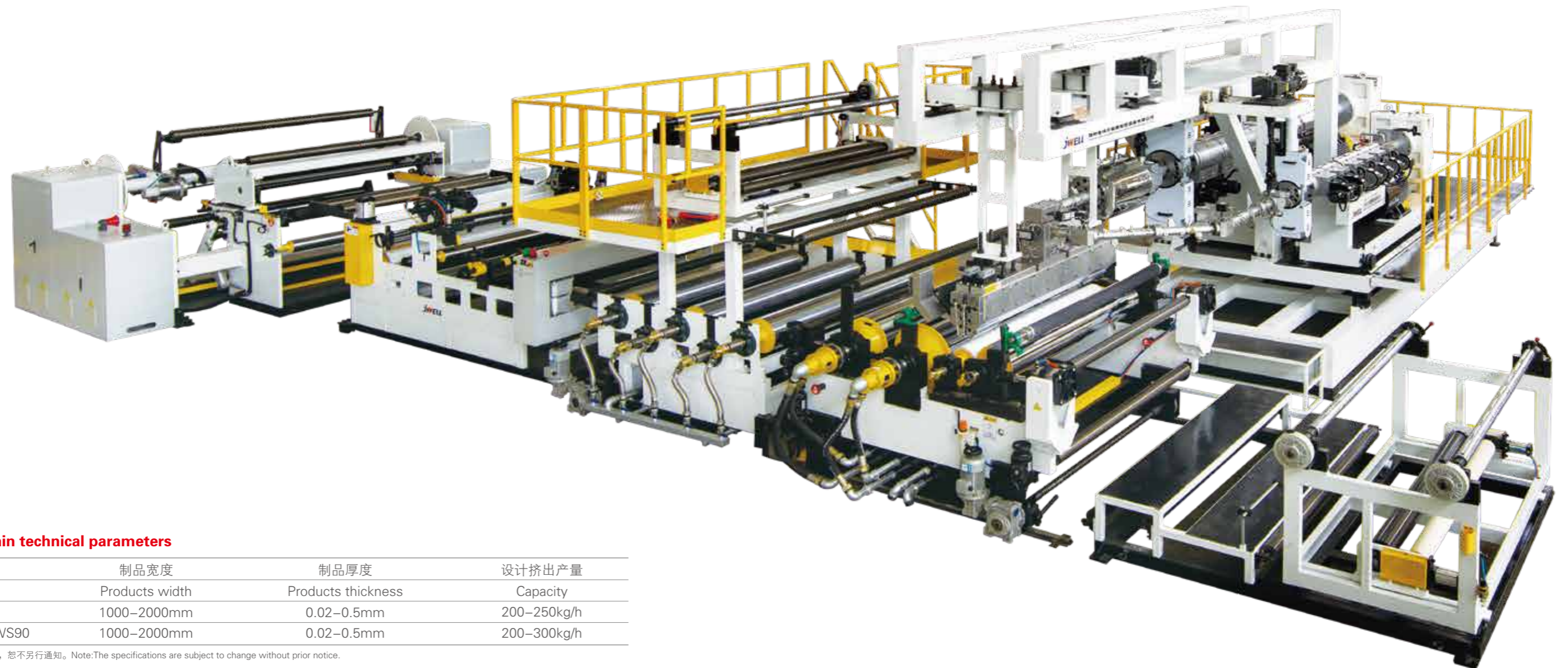
主机型号 Model	产量 Products width	制品宽度 Products width	制品厚度 Products thickness
JWE135/48 (Twin screw extruder)	2000-2500kg/h	900-2000mm	2-6mm
JWS170/35 (Singe screw extruder)	500-600kg/h	900-1220mm	1-6mm
JWS180/35 (Singe screw extruder)	700-800kg/h	900-1560mm	1-6mm

备注：以上规格参数如有变更，恕不另行通知。Note:The specifications are subject to change without prior notice.

TPU高低温薄膜/高弹膜生产线 TPU High-low Temperature, High-elastic Film Co-extrusion Line

生产线特点: 通过2台或3台挤出机共挤的方式, 将不同温度范围和硬度范围的TPU原料, 一次性复合挤出成型。相比传统复合工艺, 将高温、低温薄膜下线再复合, 显得更经济、更环保、更高效。制品广泛应用于止水条、鞋材、服装、箱包、文具、体育用品等等。

Features: TPU raw materials with different temperature and hardness ranges are extruded by two or three extruders at one time. Compared with the traditional composite process, it is more economical, more environmentally friendly and more efficient to combine high-temperature and low-temperature thin films offline. Products are widely used in water-proof strips, shoes, clothing, bags, stationery, sports goods and so on.



主要技术参数 Main technical parameters

机型 Model	制品宽度 Products width	制品厚度 Products thickness	设计挤出产量 Capacity
JWS90+JWS100	1000-2000mm	0.02-0.5mm	200-250kg/h
JWS90+JWS90+JWS90	1000-2000mm	0.02-0.5mm	200-300kg/h

备注: 以上规格参数如有变更, 恕不另行通知。Note: The specifications are subject to change without prior notice.

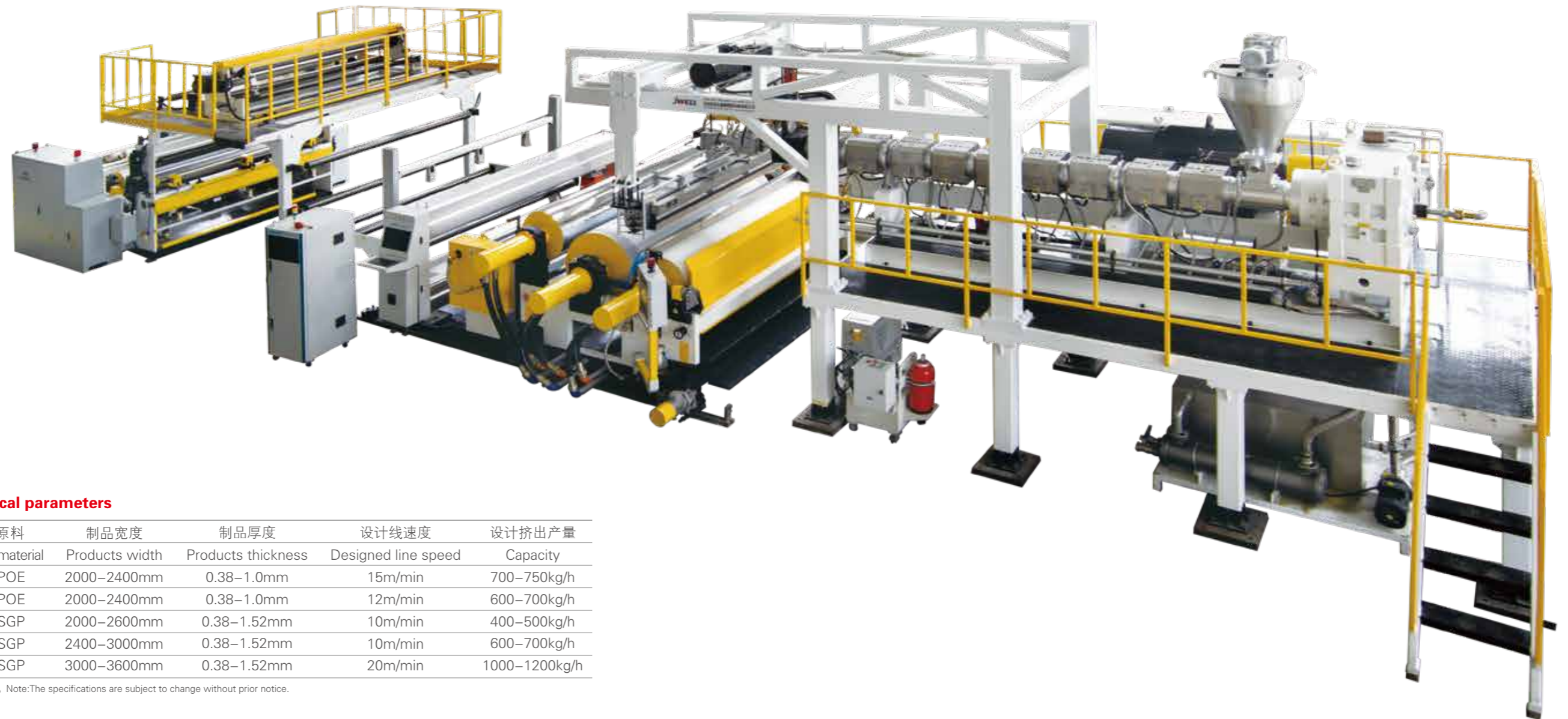
EVA/POE/PVB/SGP胶膜生产线 EVA, POE, PVB, SGP Film Extrusion Line

EVA/POE 胶膜: 用于太阳能光伏电站、建筑物玻璃幕墙、汽车玻璃、功能性棚膜、包装膜、热熔胶等各种行业。

EVA/POE film is used in solar photovoltaic power station, building glass curtain wall, automobile glass, functional shed film, packaging film, hot melt adhesive and other industries.

PVB/SGP胶膜: 广泛应用于建筑夹层玻璃，汽车夹层玻璃，防弹玻璃，隔音玻璃等。具有很好的安全性，防止玻璃由于外力作用下破碎而碎片溅起伤人；具有隔音性，防紫外线，可以做成彩色或高透明的薄膜。

PVB/SGP film is widely used in building sandwich glass, car sandwich glass, bulletproof glass, soundproof glass etc. With good safety function and prevent glass from breaking due to the effect of external force and shards spatter injury; With sound insulation, anti-ultraviolet function, can be made of color or high transparent film.



主要技术参数 Main technical parameters

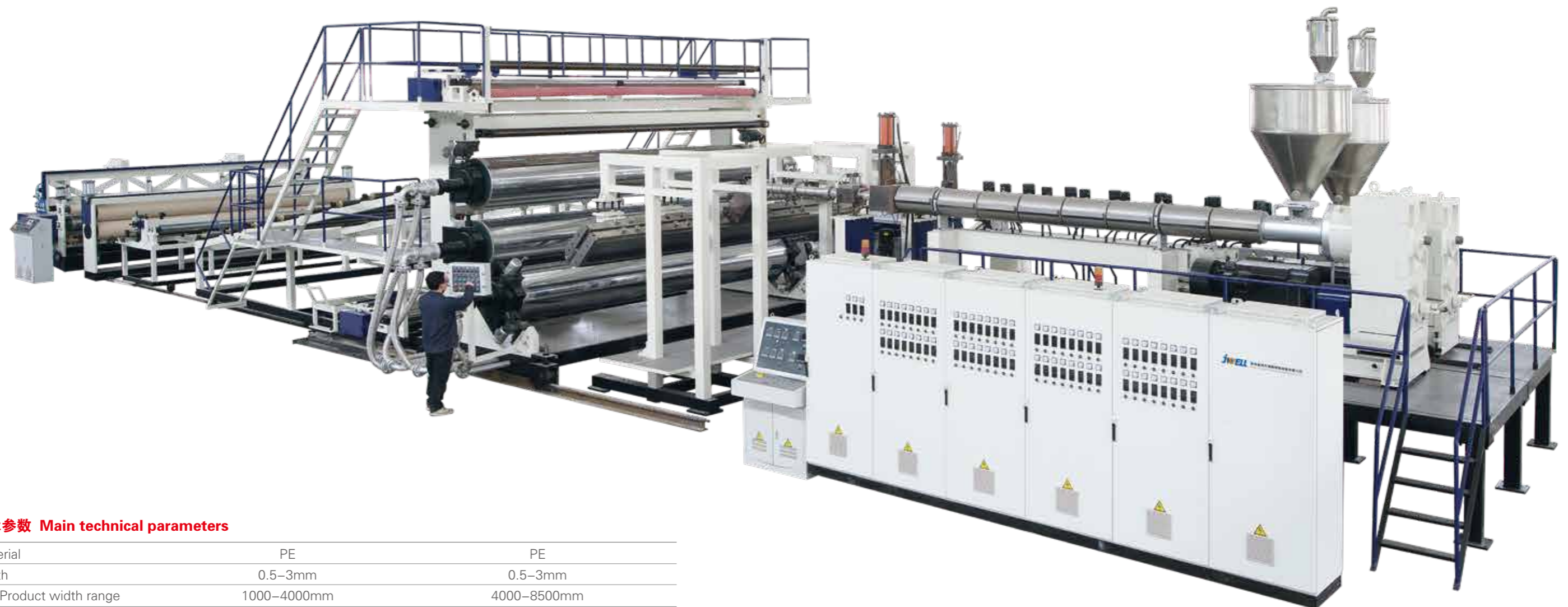
机型	适用原料	制品宽度	制品厚度	设计线速度	设计挤出产量
Model	Suitable material	Products width	Products thickness	Designed line speed	Capacity
JWS120/150/120-2400	EVA/POE	2000-2400mm	0.38-1.0mm	15m/min	700-750kg/h
JWS180-2400	EVA/POE	2000-2400mm	0.38-1.0mm	12m/min	600-700kg/h
JWS150	PVB/SGP	2000-2600mm	0.38-1.52mm	10m/min	400-500kg/h
JWE95-JWE65	PVB/SGP	2400-3000mm	0.38-1.52mm	10m/min	600-700kg/h
JWE135-JWE95	PVB/SGP	3000-3600mm	0.38-1.52mm	20m/min	1000-1200kg/h

备注：以上规格参数如有变更，恕不另行通知。Note: The specifications are subject to change without prior notice.

土工膜/防水卷材生产线 PE Extra-width Geomembrane, Waterproof Roll Extrusion Line

产品适用: 工业与民用建筑的屋面防水, 包括种植屋面、平屋面、坡屋面、建筑物地下防水: 包括水库、堤坝、水池防水、隧道、粮库、人防工程、垃圾掩埋场、人工湖防水等。

Application: For waterproofing usage in industrial & civil buildings including the green roof, flat roof and the sloping roof. Underground waterproof: reservoir, dam, pool. waterproof usage in tunnel, grain depot, artificial engineering, landfill, Artificial lake.



主要技术参数 Main technical parameters

原料 Material	PE	PE
厚度 Width	0.5-3mm	0.5-3mm
宽度范围 Product width range	1000-4000mm	4000-8500mm

备注: 以上规格参数如有变更, 恕不另行通知。Note: The specifications are subject to change without prior notice.

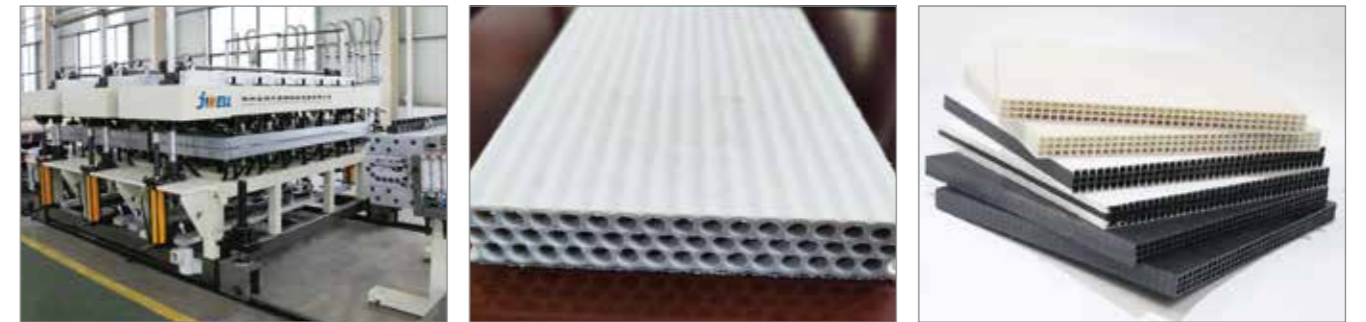
PP中空建筑模板一模双出生产线 PP Hollow Building Formwork Double Out Extrusion Line

PP 中空建筑模板一模双出生产线

金纬机械在传统 915mm 单出生产线的基础上,经过不断创新,不断验证后,推出的全新产品,在满足大产量,低能耗的同时,把产品质量的稳定性做到最佳。

PP hollow building formwork double out extrusion lines

Plate&Sheet Equipment Co.,Ltd produced PP one mold double out building template production line on the basis of the traditional 915mm single production line,that not only could meet the demand of large output and low energy.



特点:

1. 三层共挤生产线
2. 三层复合分配器
3. 多层格子模具
4. 三级定型板
5. 组合式牵引机
6. 自动定长切割机

Characteristics:

1. Three layer coextrusion production line
2. Three layer composite distributor
3. Multi-layer lattice mold
4. Three grade type board
5. Combined tractor
6. Automatic fixed length cutting machine

主要技术参数 Parameters of extrusion line

机型 Model	JWS130(80)-1320	JWS150(80)-2000	CJWH85(80/52)-2000
适用原料 Material	PP改性料modified material	PP改性料modified material	PP改性料modified material
制品宽度 Products width	915/1220mm	915mm*2	915mm*2
制品厚度 Products thickness	15-17mm	15-17mm	15-17mm
挤出机规格 Extruder specification	JWS130/35 JWS80/35	JWS150/35 JWS80/35	CJWH85 CJWH52 JWS80
最大挤出量 Capacity (Max.)	450 ~ 500kg/h	550 ~ 600kg/h	600 ~ 700kg/h

备注: 以上规格参数如有变更, 恕不另行通知。Note:The specifications are subject to change without prior notice.

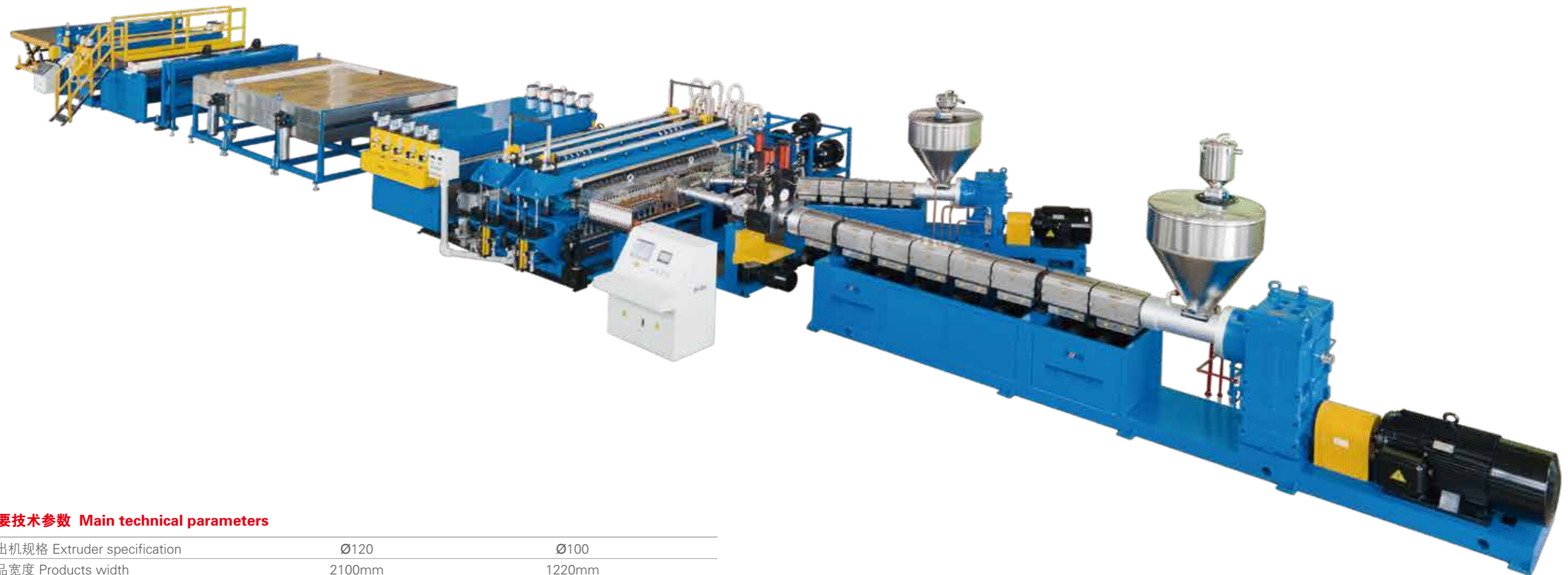
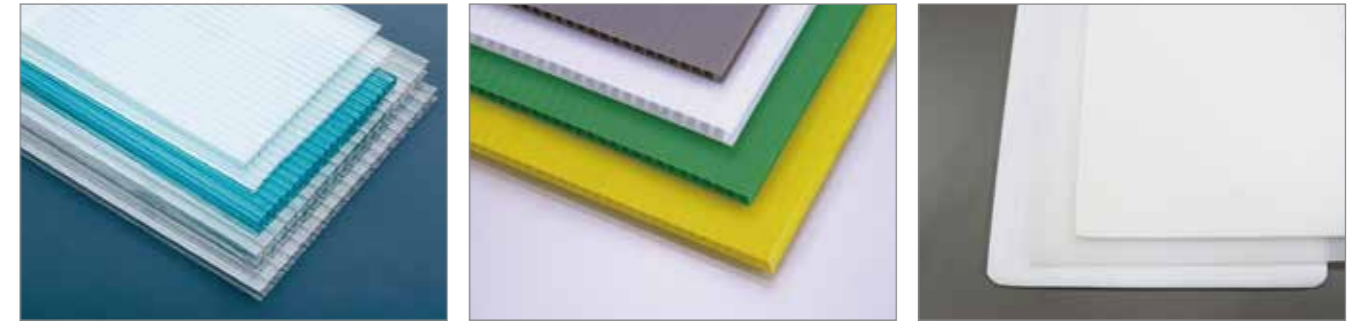
PP/PE中空格子板生产线 PP, PE Plastic Hollow Cross Section Plate Extrusion Line

PP格子板应用:

PP中空格子板因具有材质轻, 强度高, 防潮, 良好的环保性能和二次加工性能, 可加工成周转箱, 包装箱等。

Application:

The pp hollow cross section plate is light and high strength, moistureproof good environmental protection and refabrication performance.
Can be processed into the reusable container, packing case, clapboard, backing plate, and culet.



主要技术参数 Main technical parameters

挤出机规格 Extruder specification	Ø120	Ø100
制品宽度 Products width	2100mm	1220mm
制品厚度 Products thickness	2-8mm	2-8mm
最大挤出产量 Capacity (Max.)	350kg/h	200kg/h

备注: 以上规格参数如有变更, 恕不另行通知。Note: The specifications are subject to change without prior notice.

PC中空格子板生产线

PC Plastic Hollow Cross Section Plate Extrusion Line

PC阳光板应用:

办公楼、大厅、商场、体育场馆、公用设施的采光顶
 车站、停车场、凉亭、休息厅走廊的雨棚
 高速公路及城市高架路隔音屏障

Application:

Construction of sunroof in buildings, halls, shopping center, stadium, public places of entertainment and public facility.
 Ring shield of bus stations, garages, pergolas, corridors.
 Transparent shields for security forces in nursery schools airports, factories.



主要技术参数 Main technical parameters

挤出机规格 Model	制品宽度 Products width	制品厚度 Products thickness	最大挤出产量 Designed capacity
JWS120	1200-2100mm	2-8mm	350kg/h
JWS150	1200-2600mm	2-8mm	500kg/h
JWS100+JWS65	915mm	12-16mm	400kg/h
JWS150+JWS90	2000mm	12-16mm	600kg/h

备注: 以上规格参数如有变更, 恕不另行通知。Note: The specifications are subject to change without prior notice.

TPO/PVC+PP发泡汽车内饰表皮复合压花生产线 TPO/PVC+PP Foam Auto Interior Skin Compound Embossing Production Line

汽车内饰表皮复合材料应用于中高级汽车仪表板表皮和汽车侧门板，座椅等内饰，该生产线可在线实现复合压花一次成型，具有生产效率高，复合粘结实，花纹更改便利等优点；

Automobile interior skin composite materials are used in the interior of mid-to-high-end automobile instrument panel skins, automobile side door panels, seats and other interiors. This production line can realize online composite embossing and one-time shaping. It has advantages of high production efficiency, firm composite bonding, and convenient pattern modification.



主要技术参数 Main technical parameters

机型 Model	FH-1600/1800mm
复合厚度 Products thickness	0.5-0.8mm
制品宽度 Products width	1600-1800mm
最大速度 Max speed	10m/min
主机功率 Main motor power	280kw

备注：以上规格参数如有变更，恕不另行通知。Note: The specifications are subject to change without prior notice.

PE加炭黑铜塑复合生产线 PE Carbon Black Copper-plastic Composite Pproduction Line

复合型导电高分子是在本身不具备导电性的高分子材料中掺混入大量导电物质，如炭黑、金属粉、箔等，通过分散，表面铜皮复合等方法构成的复合材料。

Composite conductive polymer is a composite material made by mixing a large number of conductive materials, such as carbon black, metal powder, foil, etc., into the polymer material which is not conductive itself, and the surface laminated with copper sheet.

与传统导电材料相比较,复合型导电高分子材料具有许多独特的性能。

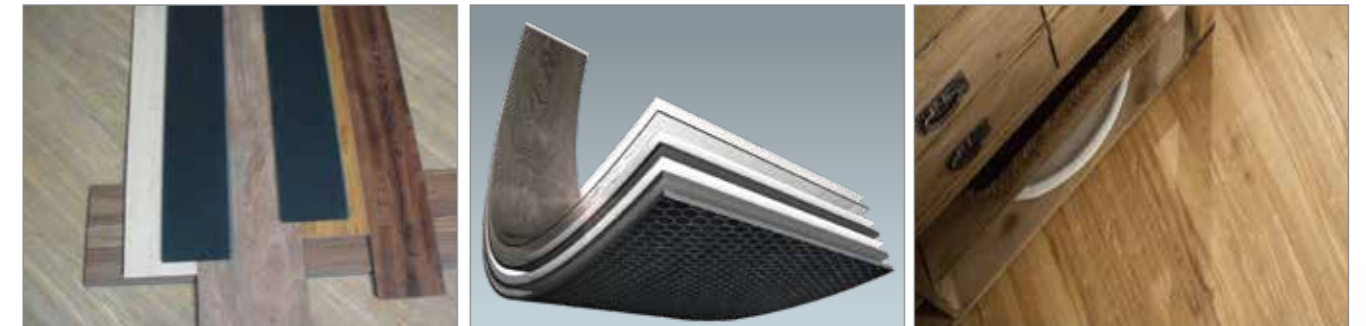
Compared with traditional conductive materials, composite conductive polymer has many unique properties.



LVT复合地板生产线 LVT Composite Floor Production Line

LVT软质复合地板生产线由挤出机挤出地板基材，再经过一套六辊复合机对基材与印刷层，耐磨层，防滑层进行同时复合，通过对放卷张力，耐磨层预热的精确控制，达到放卷时不起皱，不收缩，不变形等效果，挤出复合生产效率高，产品质量稳定。

LVT soft composite floor production line, production line by extruder extrusion floor base material, then through a set of six roller for base material and printing layer composite machine, wear-resisting layer, layer of compound at the same time, through the rolling tension, wear-resisting layer accurate control of preheating, to put the volume not wrinkle, does not shrink, deformation, extrusion compound high production efficiency, product quality is stable.



主要技术参数 Main technical parameters

机型 Model	SJZ80/156
适用原料 Material	PVC
制品宽度 Products width	1200mm
制品厚度 Products thickness	1.5-4mm
挤出机规格 Extruder specification	SJZ80/156
辊筒规格 Roller specification	Ø400
辊筒数量 No of rolls	6PS
最大挤出量 Capacity (Max.)	500kg/h
主电机功率 Main motor power	75kw

备注：以上规格参数如有变更，恕不另行通知。Note:The specifications are subject to change without prior notice.

相关公司产品链接

Linkage of Relating Auxiliary Equipment



自动换网器和液压站
Hydraulic Screen Changer



失重式喂料装置
Dosing System



在线测厚仪
On-line Continuous Measurements



冷水机
Water Chiller Unit



挤出机
Extruder



各类镜面辊筒
All Kinds of Mirror Rollers



模具和分配器
T-die And Feedblock



计量泵
Metering Pump

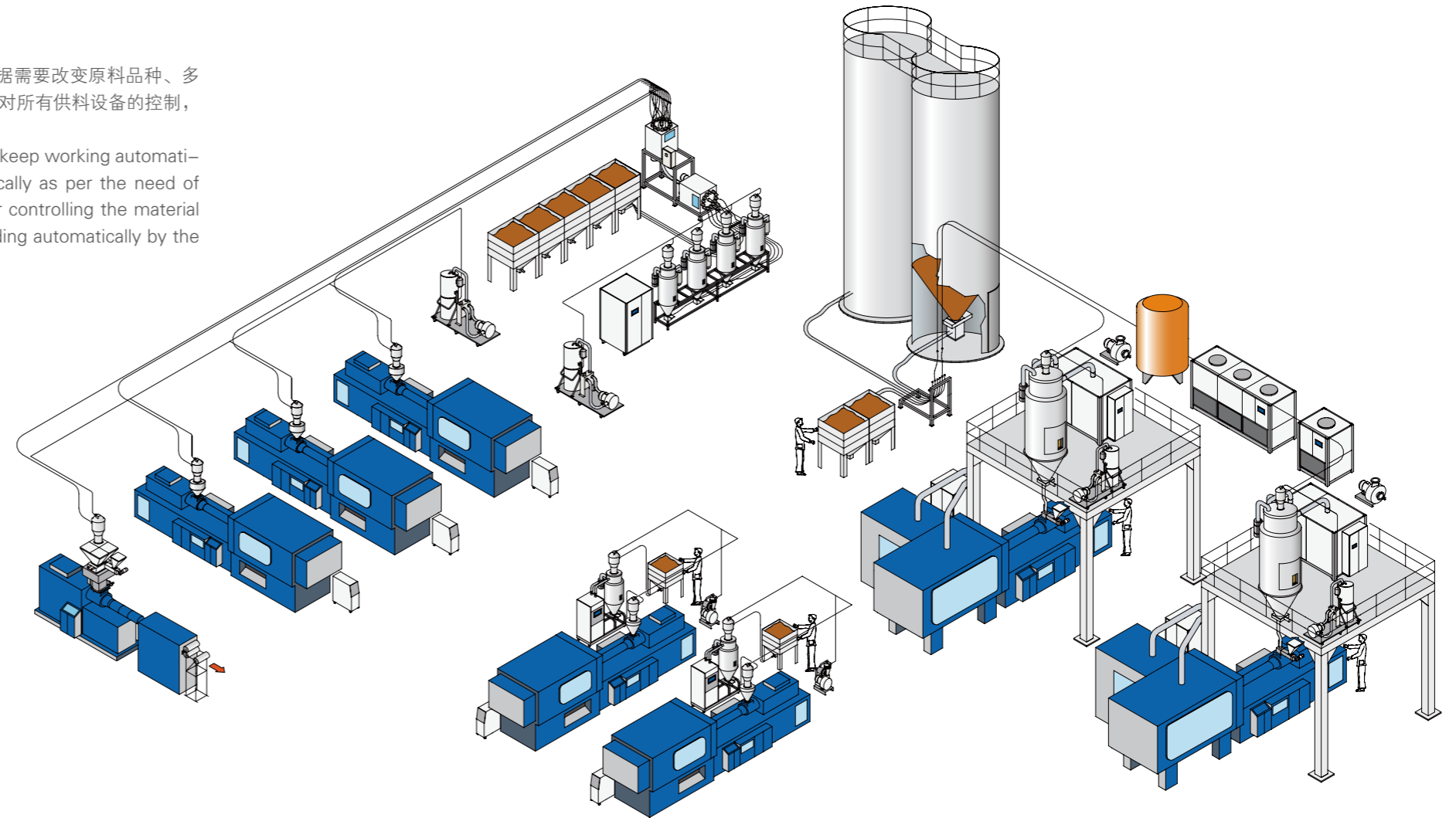


破碎机
Crusher

集中供料系统 Feeding System

集中供料系统是为塑料挤出车间的塑料产品生产而设计的，实现了不间断无人化连续成型作业。可根据需要改变原料品种、多颜色材料的组合使用方式，实现配方工序的自动化。系统能够以全自动方式组合原料成份及状态，能够对所有供料设备的控制，并防止了储料仓内阻塞现象的发生，通过设置中央监控台实现全自动化。

Material centralized feeding system was designed for the plastic product extrusion plant, which can keep working automatically. It can change the raw material and color masterbatch, making up the formulation automatically as per the need of production. The system will make the material components and state automatically, being easy for controlling the material feeding of all production lines, and protecting the material block in the hopper, realizing material feeding automatically by the data setting in the central controlling panel.



流程: 原料→储存→计量→干燥→输送→使用

Process: material→storage→metering→drying→feeding→use

特点: 高效、节能、个性化、现代化工厂形象

Features: efficient、energy saving、individuation、image of modern forming factory



计量
Metering



干燥
Drying



配管
Piping



中央气泵
Central air pump



输送
Conveying



脉冲集尘器
Pulse dust collector

挤出机械物联网+智能制造解决方案 Plastic Machinery Fully Integrated Automation + Internet of Things Control System Solutions

工业 4.0 时代的互联 -CPS (信息物理系统 cyber physical systems), 不是简单的对互联网、物联网、传感网的替代, 它是信息世界和物理世界的深度融合。

未来挤出装备不再是一个孤立的自动化、信息化孤岛, 未来的挤出机工厂会通过云平台与整个供需体系形成灵活智能的产品制造网络。工业 4.0 背景下的智能注塑发展趋势, 多品种小批量快周期的定制化生产; 多种生产技术和工艺的高度集成化; 少人或无人状态下的自主生产过程; 从原料到成品整个过程的信息化管理……

The interconnected in the industrial 4.0--CPS (cyber physical systems) is not a simple alternative to the Internet, the Internet of things, and the sensing network. It is a deep integration of the information and the physical.

The future extrusion equipment is no longer an isolated automation and information island. The future extruder factory will form a flexible and intelligent product manufacturing network through the cloud platform and the whole supply and demand system. In the industrial 4.0 background, the development trend of intelligent extrusion, customized production of multi-variety and small batch fast cycle; High integration of various production techniques and processes; autonomous production process under less people or unmanned state; information management from the whole process of raw material to finished product...

在朝着工业 4.0 发展的过程中, 我们的设备更智能化了! 金纬机械智能化生产线:

1. 可以监测主机电流。
2. 可以监测主机温度。
3. 可以监测主机电能。
4. 可以监测主机每吨物料能耗(目前仅支持有米重控制的设备)。
5. 可以在手机上查看数据信息。
6. 可以记录并统计设备故障, 部件更换等信息。
7. 可以连接 MES 系统。
8. 可以远程调试程序。

In the process of industrial 4.0, our equipment is more intelligent! Intelligent production line of Jwell:

1. can monitor the current of the extruder.
2. can monitor the temperature of the extruder.
3. can monitor the power of the extruder.
- 4., the energy consumption per ton of material can be monitored. (At present, only equipment with rice weight control is supported)
5. you can view the data on the phone.
6. records and statistics of equipment failure, parts replacement and other information can be recorded and counted.
7. can connect the MES system.
8. the program can be debugged remotely.



实时工况
Real-time operating status



作业情况统计
Working status statistics

基于MES系统平台, 实现车间生产管理的信息沟通平台, 并向智能化方向发展。

Based on the MES system platform, the information communication platform of workshop production management is realized and move toward the intelligent direction



企业风采：品质管理 技术研发 国际交流 客户服务 员工培训

Quality Control Technology Research International Communication Customer Service Staff Training





